



COMPLETE SOLUTIONS AND SPECIALTY FIXTURES





Complete Solutions & Specialty Fixtures

Design

Our experienced design and engineering team will ensure your design comes to life with the quality you expect from Stylmark.

Whether you're looking for a slight variation of an existing Stylmark product or have an entirely new product idea, we will work closely with your design staff at every stage of the project to create the perfect environment to meet your needs.

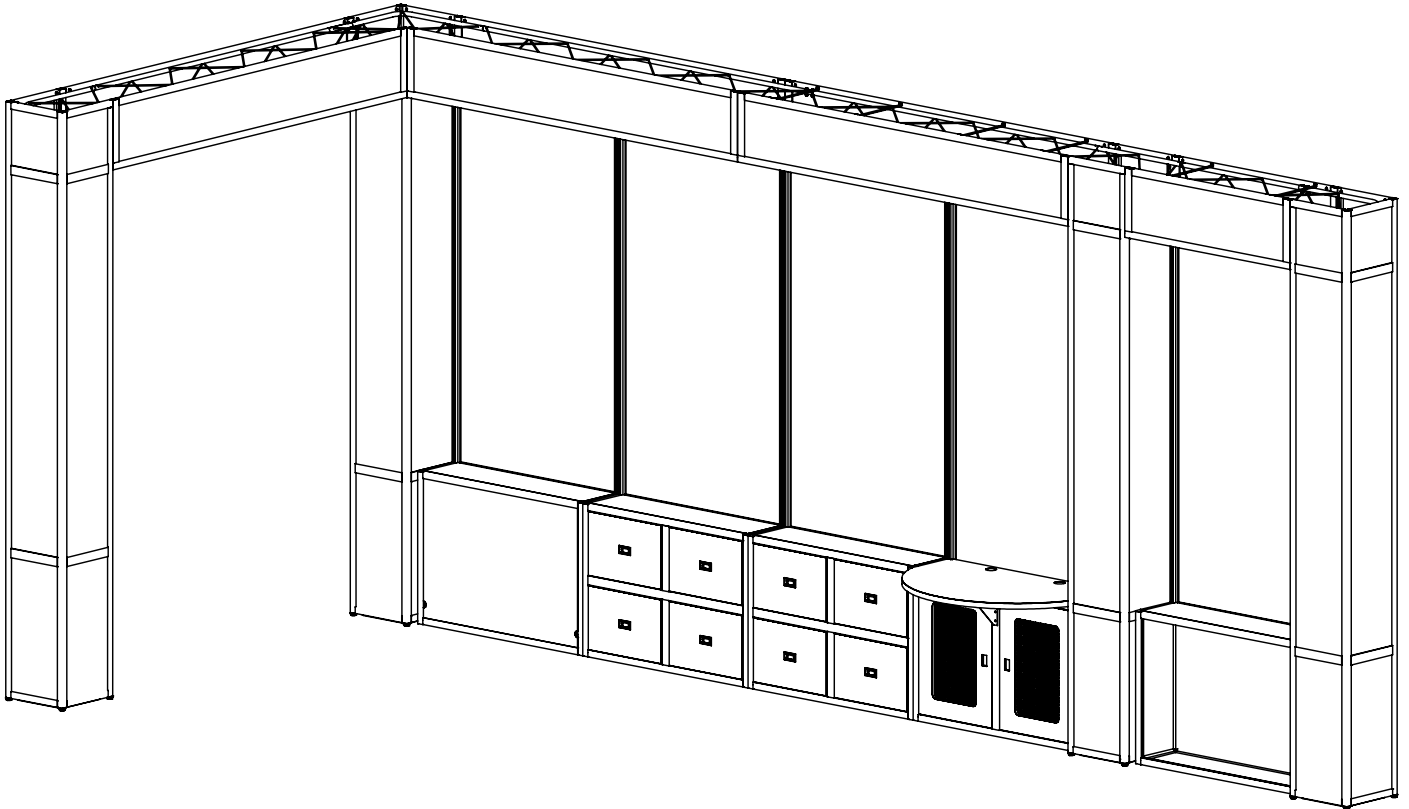
Manufacturing

Stylmark's state-of-the-art manufacturing capabilities allow for metal fabrication, curving, anodizing and assembly all under one roof. In addition to a broad range of aluminum extrusions for which we are well known, we also work with various other materials, such as stainless and mild steel. Our automated equipment, including robotic welding and high-speed machining centers, is equally effective on small and large quantity orders.

Store-Within-A-Store	1
Custom Shelving Displays	2
Decorative Ceiling Treatments	3
Truss Systems	4
Grocery Signage & Fixtures	5
Quick Change Graphic System	6
Custom Partition Systems	7
Kiosks	8

Store-Within-a-Store Displays

Stylmark can help you create custom freestanding store-within-a-store systems. These systems are built to your specifications and can include elements such as truss systems, laminate & acrylic panels, counter tops & storage systems.



Custom built to dimensions and specifications supplied by customer

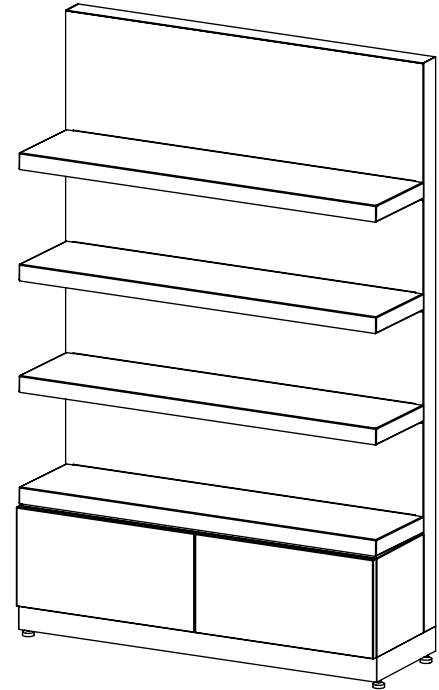
Product Specifications

- Varying size, dependent upon leased area in stores.
- Height - 11'0"
- Constructed of Dynaform 12" OC box truss support framing covered with Porsa extrusion which holds laminate and acrylic panel infill.
- Wall units are designed for functionality: offering storage drawer cabinets & a PC tower cabinet with semi-circular countertop.

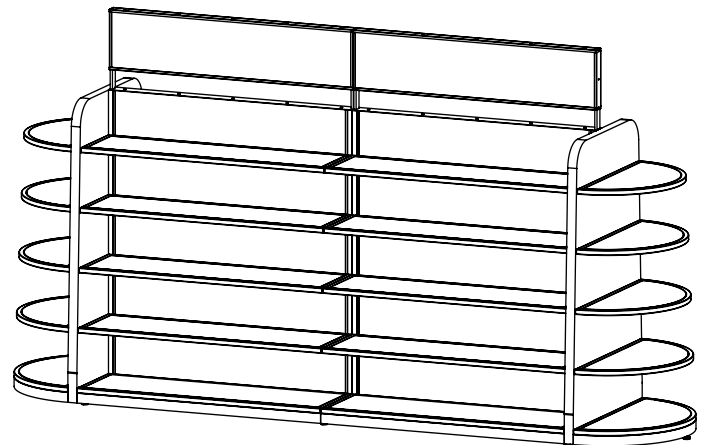
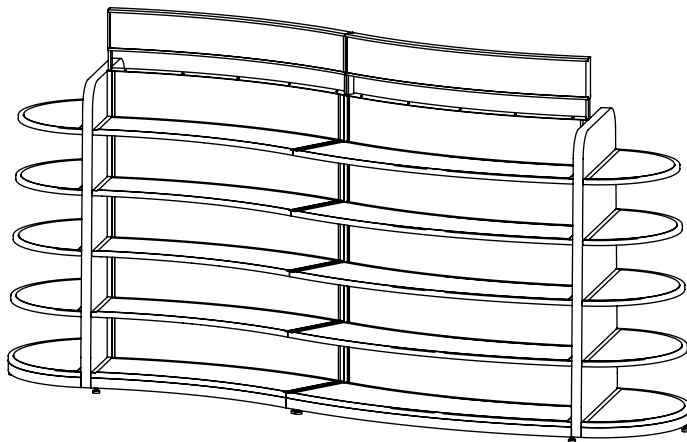
Custom Shelving Displays

Product Specifications

- Shelving units are 36" or 48" wide, 73" tall and 16" deep.
- Materials include steel, acrylic panels, and fluorescent lighting.
- Finish is powder coat.



Custom built to dimensions and specifications supplied by customer



Product Specifications

- Shelving unit is 148" wide, 75" tall and 36" deep.
- Materials include steel, frosted glass, komatex, acrylic, and LED lighting.
- Finish is powder coat.

Custom built to dimensions and specifications supplied by customer

Decorative Ceiling Treatments

Decorative ceiling treatments from Stylmark are used to define a selling space or lower the ceiling of specific areas to highlight signature or high margin departments. Stylmark offers several product lines of decorative ceiling treatments that include truss systems, C-Grid™, and wood or metal canopies.

C-Grid Systems



Custom built to dimensions and specifications supplied by customer

CGrid™ open channel systems are designed to highlight specialty areas of a store by lowering the eye of the customer. Lightweight and easy to install, these 2'x2' or 4'x4' grids are available in black or white powder coat. Custom finishes and configurations are available.

Product Specifications

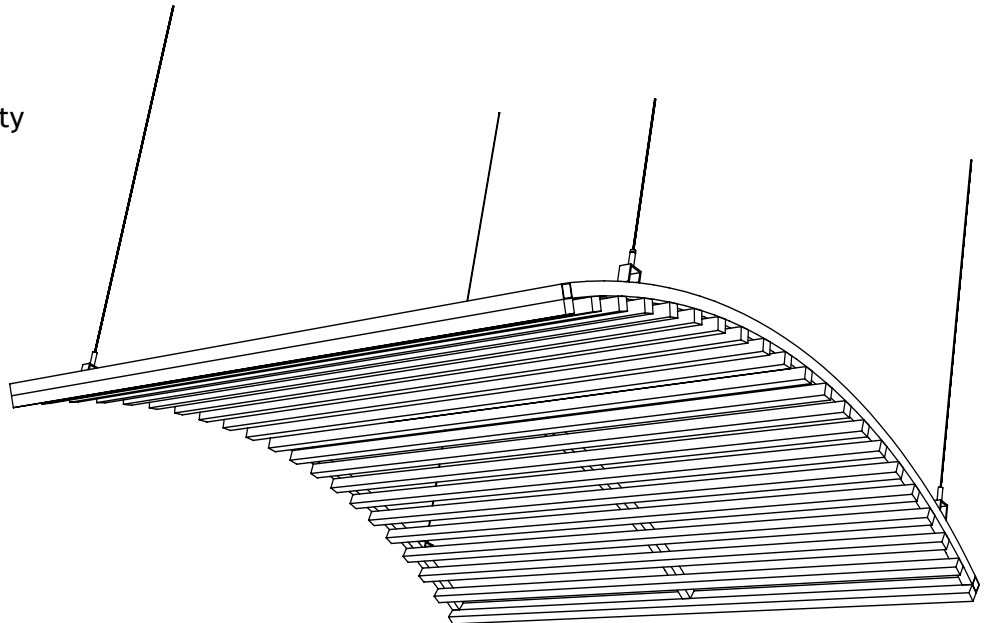
- Steel & aluminum with wood grain finish
- Painted bronze to match store décor

Metal & Wood Canopies

Open frame canopies define specialty areas and allow for cost-effective facelifts. A variety of sizes, materials and designs are available.

Product Specifications

- 96" x 96" square steel tubing frame with 1.5" sq. oak slats

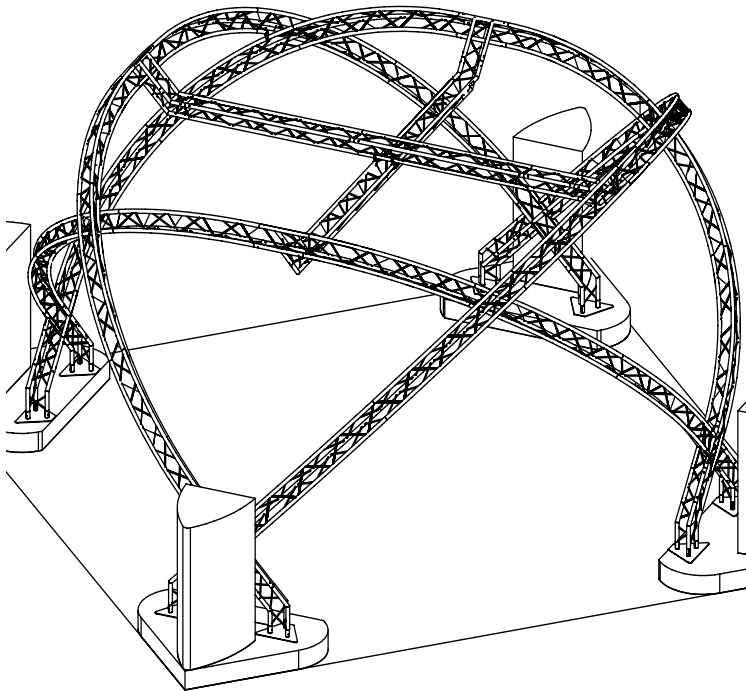


Custom built to dimensions and specifications supplied by customer

Truss Systems

Stylmark manufactures decorative and functional truss systems in triangular, square and flat configurations. Different strength options and chord/lace designs are available in standard and custom powder coated finishes.

Custom FORtruss Triangular Truss

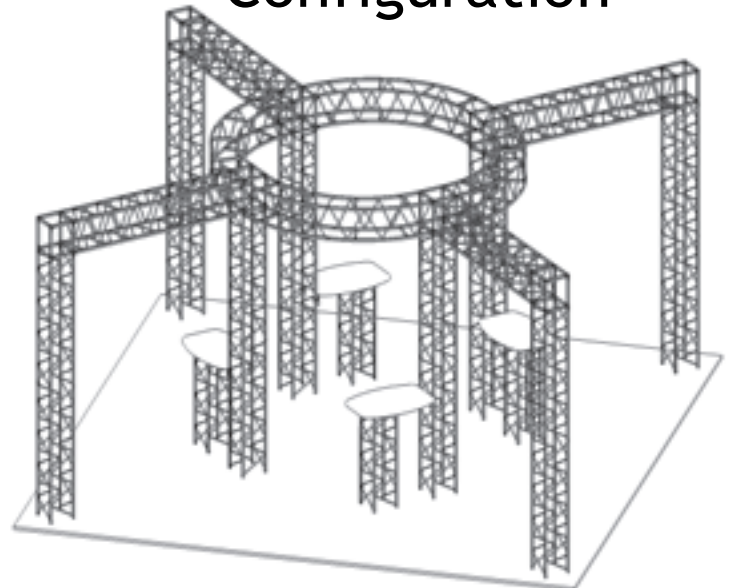


Custom built to dimensions and specifications supplied by customer

Product Specifications

- 30' x 30' base
- 16' 4" height

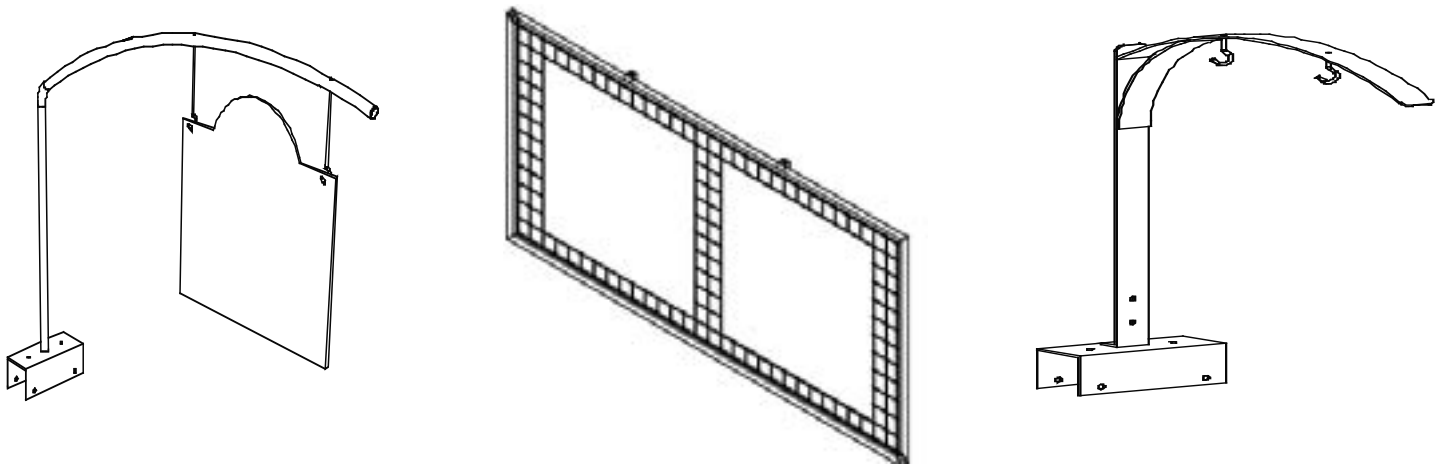
Standard Truss Configuration



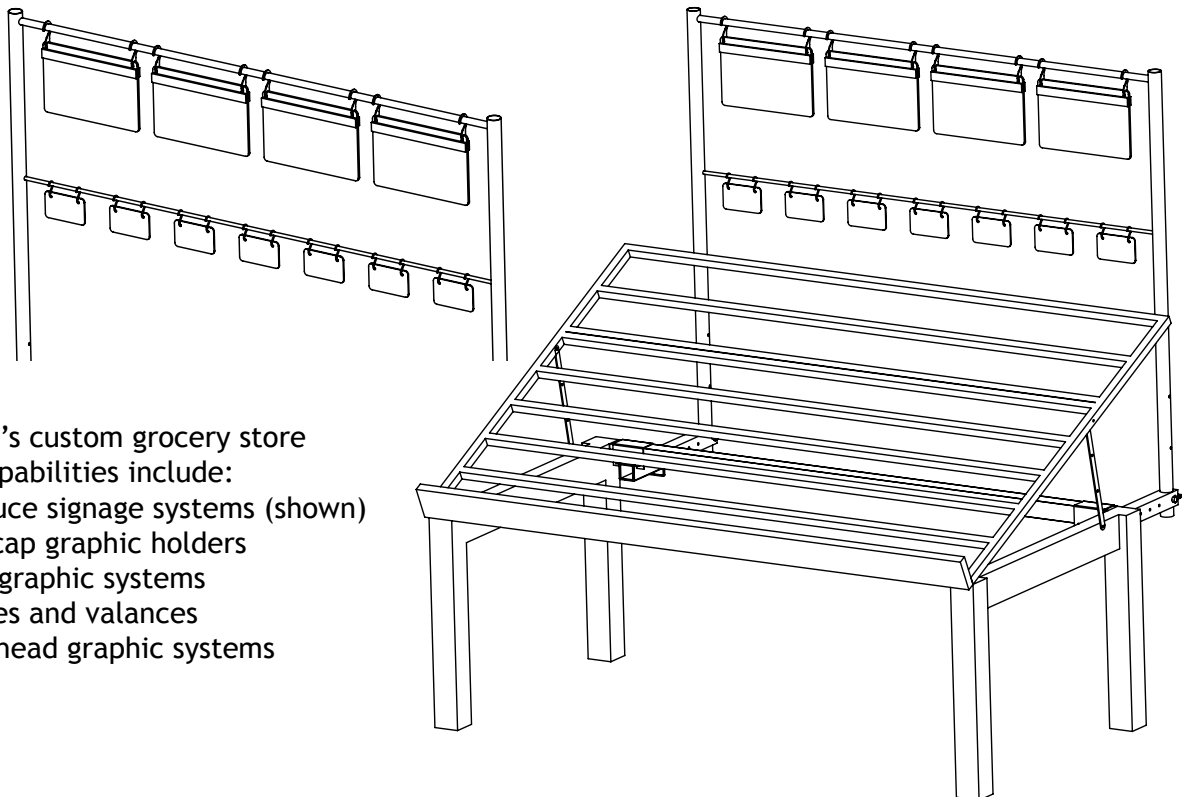
Grocery Signage and Fixtures

Signage Systems

Grocery signage systems from Stylmark can enhance the customer's brand and overall store appearance. Stylmark offers several signage options as part of a grocery decor package that includes outriggers, aisle directories, check stand ID and menu boards.



Grocery Fixtures

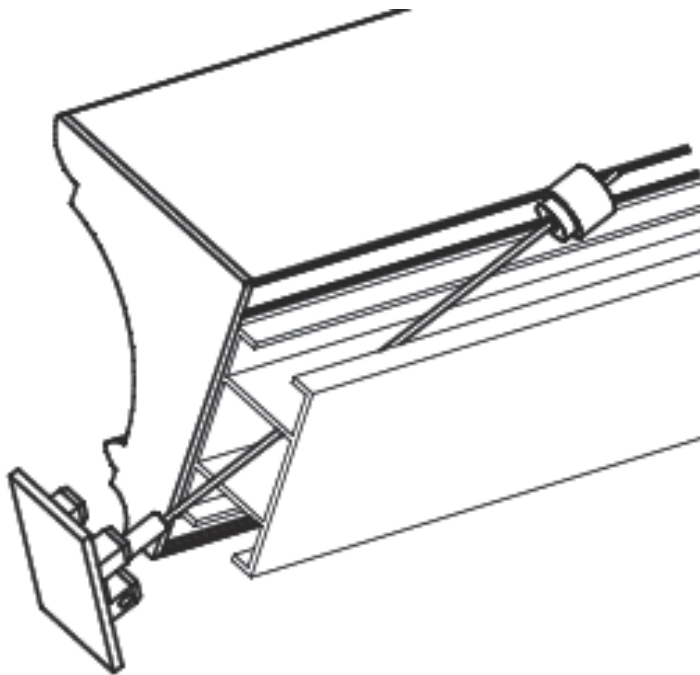


Stylmark's custom grocery store decor capabilities include:

- Produce signage systems (shown)
- End cap graphic holders
- Wall graphic systems
- Arches and valances
- Overhead graphic systems

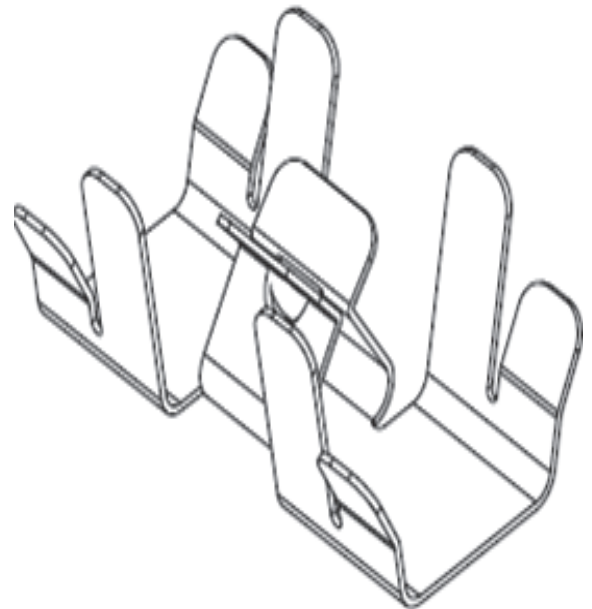
Quick Change Graphic System

Designed from Stylmark's Trim Maker® line of aluminum extrusions & Porsa™ Extrusion System, the Quick-Change Graphic System allows easy changeability of your graphic without having to change an entire display. Stylmark is an authorized North American distributor of the Porsa™ system of Denmark. Porsa is the only aluminum extrusion system that accepts a ½" thick in-fill panel, making it ideal for applications require strength, stability and dependability.



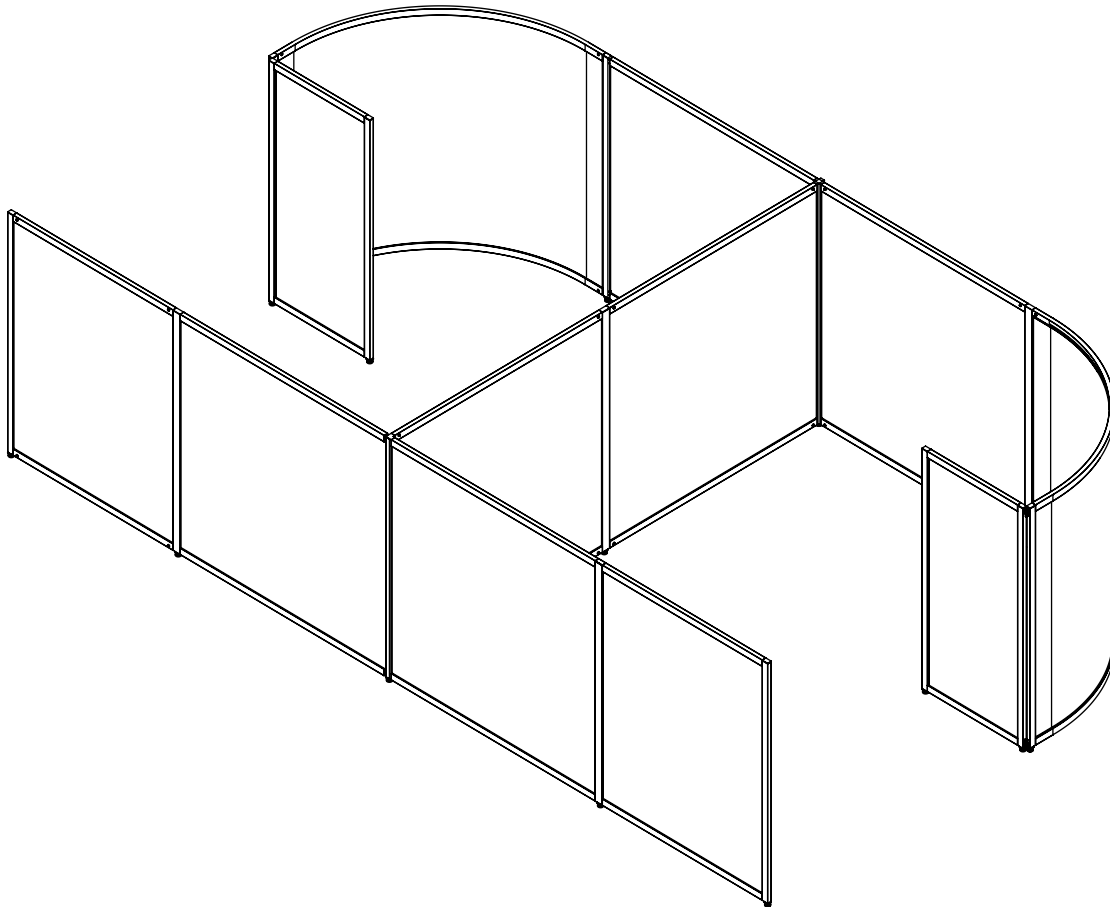
The Trim Maker extrusion and base are mounted to a Porsa extrusion. The graphic is inserted into spring clip holders. The spring clip holders are slid in through the end of the Porsa extrusion and the Porsa endcap is affixed. To change the graphic, remove the Porsa endcap, slide out the graphic and slide in the replacement.

Spring Clip Graphic Holder



Custom Partition Systems

Stylmark's custom partition systems are stylish and timeless in design. They feature all aluminum components that can be mixed and matched to create the look you are trying to achieve. The post and panel system is designed to piece together allowing for easy installation, changeability and structural integrity.



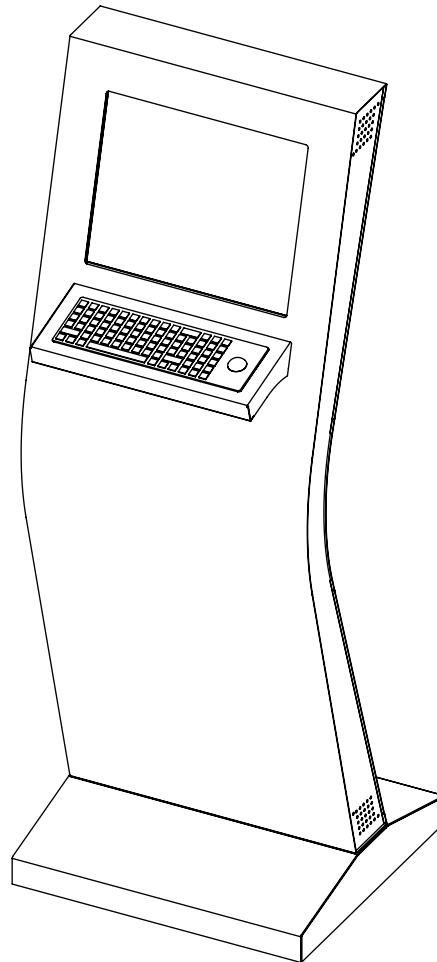
Custom built to dimensions and specifications supplied by customer

Product Specifications

- System can hold 3/6" to 7/16" thick in-fill panels
- System can be re-configured to accommodate many layout options
- Leveler feet accommodate uneven floor

Kiosk

Kiosk enclosures from Stylmark provide the housing for information and service oriented kiosk software and peripherals. Available in finishes to match any décor, these enclosures combine secure functionality with a streamlined design. Enclosure can also be custom fabricated to accommodate peripherals. (Kiosk peripherals and software provided by others.)



Product Specifications

- 21" wide, 60" tall and 20" deep
- Material is Steel
- Finish is powder coat

Custom built to dimensions and specifications supplied by customer



Flexible • Collaborative • Transformative • Solutions

For companies that need more than “just the components”,
Stylmark is a versatile manufacturer that creates the
spectrum of essential elements - to create comprehensive
and distinctive lifestyle environments.

Architectural Trim & Moldings
Backlit Displays & Transparency Frames
Complete Solutions & Specialty Fixtures
Fitting Room Systems & Mirror Kits
Framing & Partition Systems
Hardware & Accessories
Shelving
Showcases



Stylmark, Inc.
6536 Main Street NE, PO Box 32008
Minneapolis, MN 55432
800.328.2495
info@stylmark.com
www.stylmark.com

