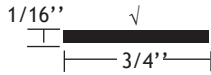


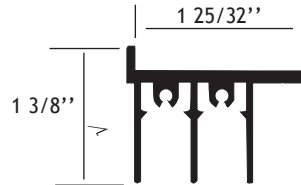
# Lighting Accessories

## Hardware and Accessories

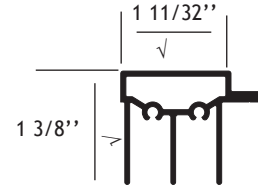
**Part #110099**  
Reflector Strip



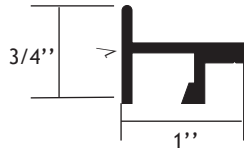
**Part #110071**  
Showcase Channel



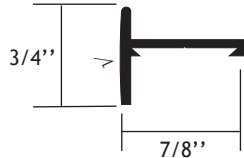
**Part #110102**  
Top Rear  
Showcase Channel



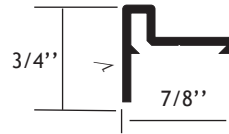
**Part #110107**  
Front Frame



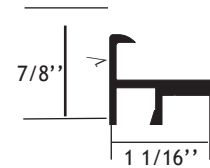
**Part #110127**  
Top Front Frame



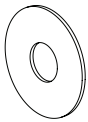
**Part #110137**  
Cover Tee  
with .25 Return



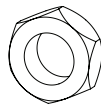
**Part #110192**  
Front Frame with Lip



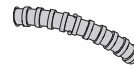
**Part #218035**  
Fender Washer  
1-1/2" O.D.



**Part #219039**  
Nut

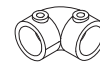


**Part #230056**  
3/8" I.D. Super Flex  
Conduit, 250 ft



**#230056-01** 3/8" I.D.  
Super Flex Conduit, 7 ft

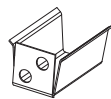
**Part #310124**  
90° Connector



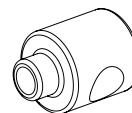
**Part #380270**  
LED 1 1/2" Reflector  
Mount Bracket



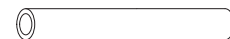
**Part #380491**  
LED 1" Reflector  
Mount Bracket



**Part #380583**  
Connector



**Part #410050**  
1/2" Downtube  
3/8" I.D.

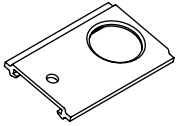


√ = finished surface

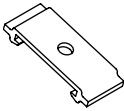
# Lighting Accessories

## Hardware and Accessories

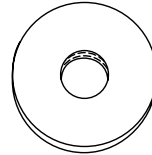
**Part #480438**  
Flex Conduit  
Connector Adapter



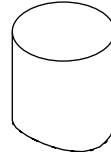
**Part #480439**  
Mount Bracket  
Adapter



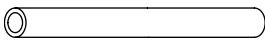
**Part #480753**  
Threaded Washer



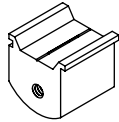
**Part #480756**  
Support Puck



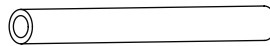
**Part #480757**  
3/8" Downtube  
9/32" I.D.



**Part #480767**  
Rigid Connector  
3/8" Downtube



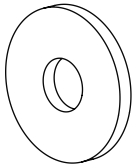
**Part #480941**  
7/16" Downtube  
9/32" I.D.



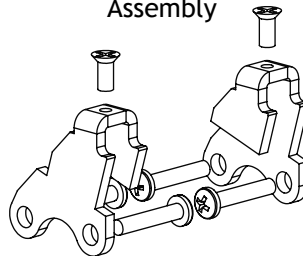
**Part #480942**  
Downtube Threaded  
9/32" I.D.



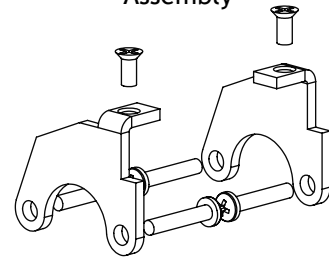
**Part #480943**  
Threaded Washer  
1-1/4" O.D.



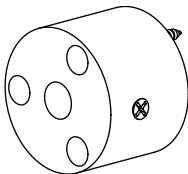
**Part #510073**  
Mount Bracket  
Assembly



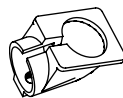
**Part #510321**  
Mount Bracket  
Assembly



**Part #510378**  
Downtube Flange



**Part #510621**  
Flex Connector  
3/8" I.D. Conduit



**Part #510622**  
Rigid Connector  
1/2" Downtube



# Lighting Accessories

## Ballasts and Transformers

BALLASTS				
LAMP DESIGNATION	MAGNETIC BALLAST PART#		ELECTRONIC BALLAST PART#	
	1 LAMP	2 LAMP	1 LAMP	2 LAMP
FM6T2			230292	230292
FM8T2			230292	230292
FM11T2			230292	230292
FM13T2			230292	230292
F4T5	230076			
F6T5	230076			
F8T5	230076			
F14T5			230390	230273
F21T5			230390	230273
F28T5			230392	230273
F35T5			230292	230273
F24T5/HO			230294	230294
F39T5/HO			230294	230296
F54T5/HO			230295	230295
F80T5/HO			230241	N/A
F14T8	230077		230498	N/A
F15T8	230034	230043	230498	230498
F42T6	230386			230427
F64T6	230386			230427
F72T8	230386			230502
F96T8			230501	230502
FO17T8			230307	230226
FO25T8			230307	230226
FO32T8	230063		230307	230226
FO40T8			230271	230500

### Ballasts

- Class P thermally protected
- Magnetic rapid start
- High frequency rapid start
- High power factor
- Electronic ballast available upon request

### TRANSFORMERS

PART #	DESCRIPTION
230100	TRANSFORMER, 100 VA
230146	TRANSFORMER, 12V 75W

### Transformers

- 50 VA and 100 VA 12 volt transformers supplied with halogen orders
- Transformers are UL listed and fused

*Call for ballast and transformer availability.*

# Lighting Accessories

## LED Power Supplies and Drivers

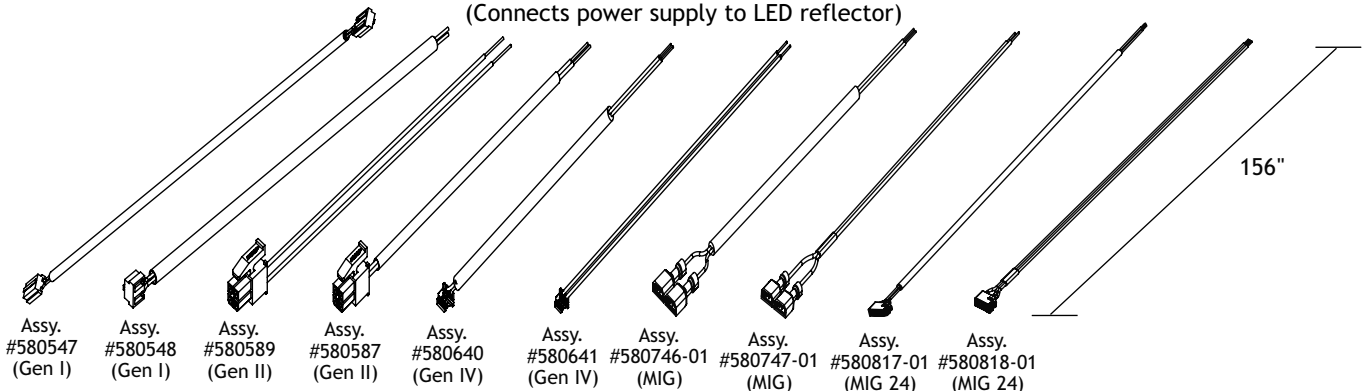
LED POWER SUPPLIES	
PART #	DESCRIPTION
230493	60W, 15.0V, LED, PRESET OUTPUT, UNIVERSAL INPUT 90-264 VAC, 47-63Hz
230493	96W, 15.0V, LED, PRESET OUTPUT, UNIVERSAL INPUT 90-264 VAC, 47-63Hz
230572	60W, 24.0V, LED, PRESET OUTPUT, UNIVERSAL INPUT 90-264 VAC, 47-63Hz
230573	60W, 24.0V, LED, PRESET OUTPUT, UNIVERSAL INPUT 90-264 VAC, 47-63Hz
*580756-01	40W, 18.0v LED, PRESET OUTPUT, UNIVERSAL INPUT 90-264 VAC, 47-63Hz
*580756-02	40W, 15.0v LED, PRESET OUTPUT, UNIVERSAL INPUT 90-264 VAC, 47-63Hz
*580756-04	40W, 24.0v LED, PRESET OUTPUT, UNIVERSAL INPUT 90-264 VAC, 47-63Hz
580829	150W, 24.0v LED, LED POWER SUPPLY & ENCLOSURE INPUT, 115VAC or 230 VAC, 47-63Hz

LED DRIVERS	
PART #	DESCRIPTION
230326	350 MILLIAMPS, 12 WATT
230327	700 MILLIAMPS, 17 WATT
230328	1050MILLIAMPS, 25 WATT
230374	1750 MILLIAMPS, 40 WATT

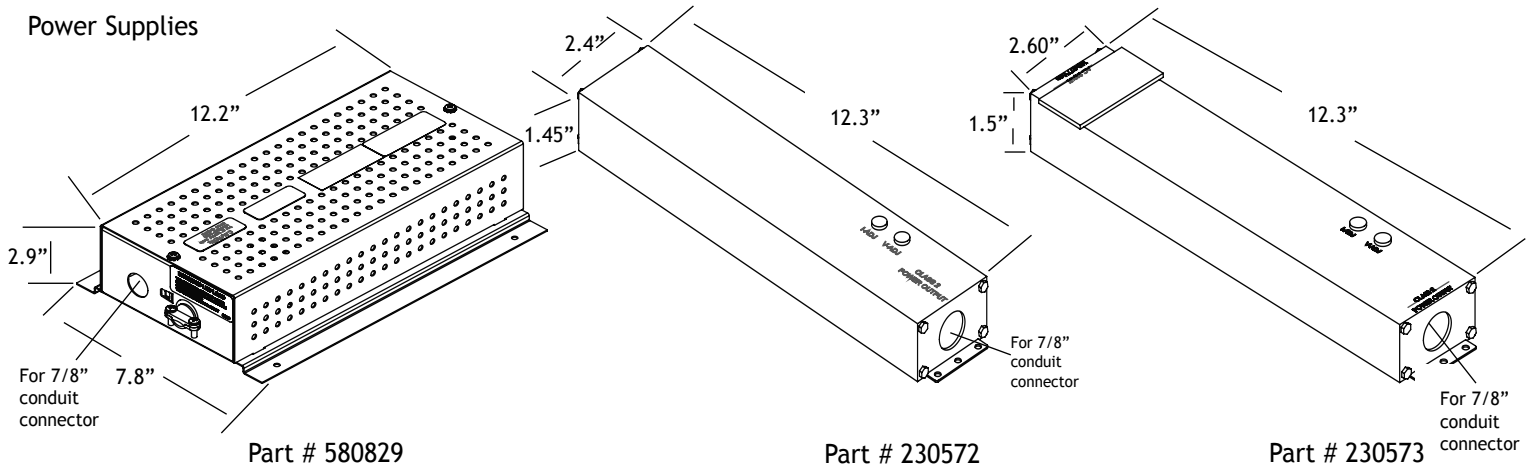
**LED Power Supplies**

- Power supplies are used with circuits and on-board drivers
- UL recognized component

### LED LOW VOLTAGE POWER CABLES (Connects power supply to LED reflector)



### Power Supplies

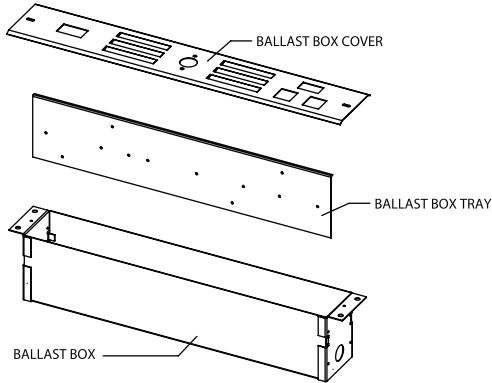


**Notes:** • \*#580756-01, #580756-02 & #580756-04 require 4x4 metal junction box enclosures (included).

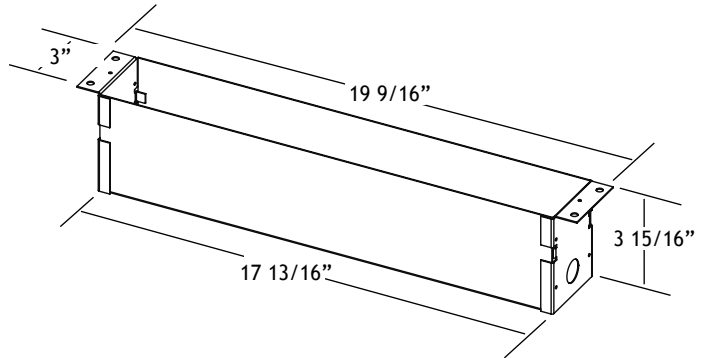
# Lighting Accessories

## Single Ballast Box and Components

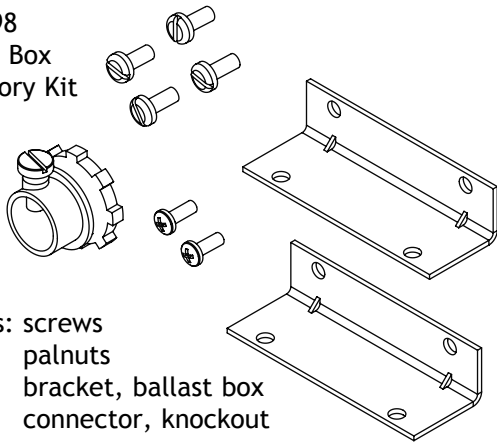
**#510599**  
Single Ballast Box Kit



**#510101**  
Single Ballast Box



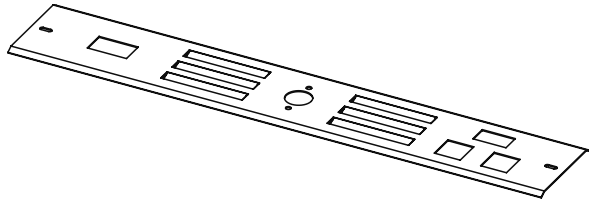
**#510598**  
Ballast Box  
Accessory Kit



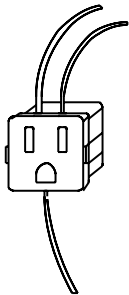
Includes: screws  
nuts  
bracket, ballast box  
connector, knockout

Ballast Box Cover Plate

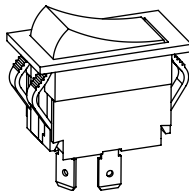
**#310079** - Painted Black Steel  
**#310577** - Anodized Aluminum (See Stylmark  
anodized color offerings)



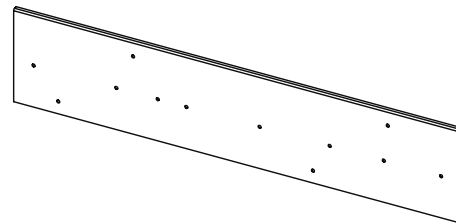
**#230028**  
Grounded Receptacle



**#230085**  
Rocker Switch



**#310080**  
Single Ballast Box Insert Tray for Single Ballast Box



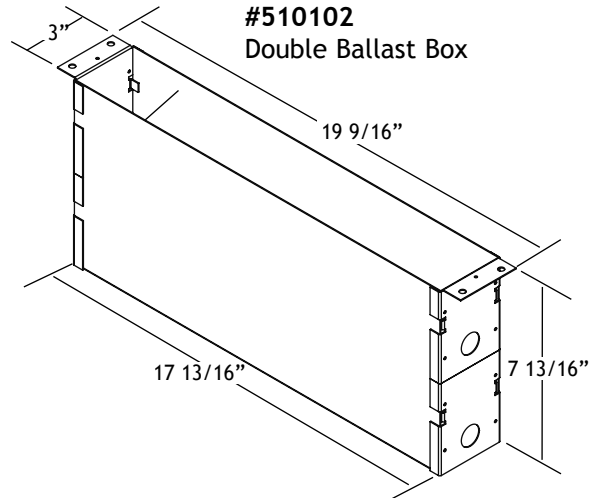
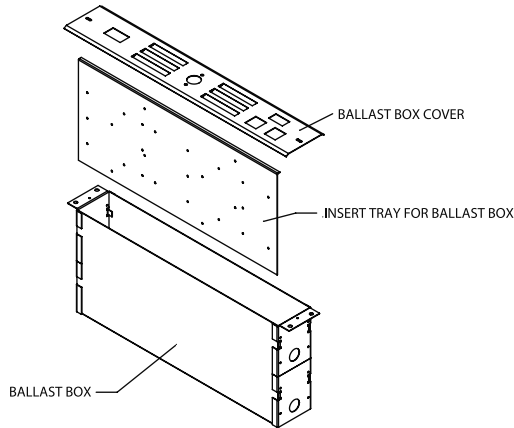
**Notes:**

- #510600 - Single ballast box kit and accessories includes part numbers #510599 and #510598

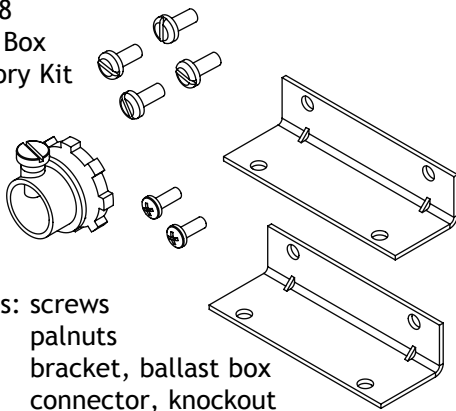
# Lighting Accessories

## Double Ballast Box and Components

**#510625**  
Double Ballast  
Box Kit



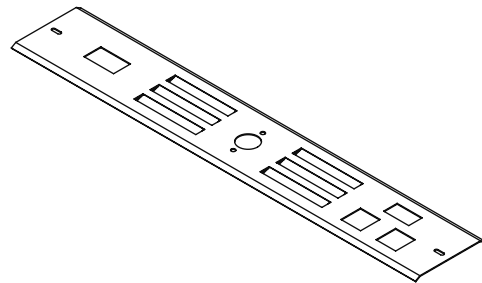
**#510598**  
Ballast Box  
Accessory Kit



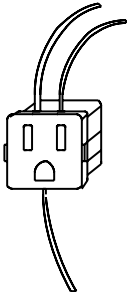
Includes: screws  
nuts  
bracket, ballast box  
connector, knockout

Ballast Box Cover Plate

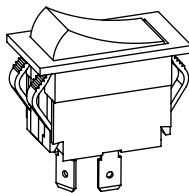
**#310079** - Painted Black Steel  
**#310577** - Anodized Aluminum (See Stylmark  
anodized color offerings)



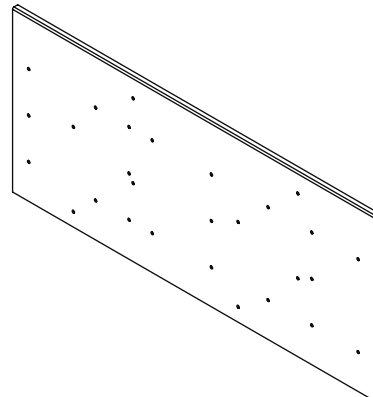
**#230028**  
Grounded Receptacle



**#230085**  
Rocker Switch



**#310085**  
Ballast Box Insert Tray for Double Ballast Box



**Notes:**

- #510626 - Double ballast box kit and accessories includes part numbers #510625 and #510598