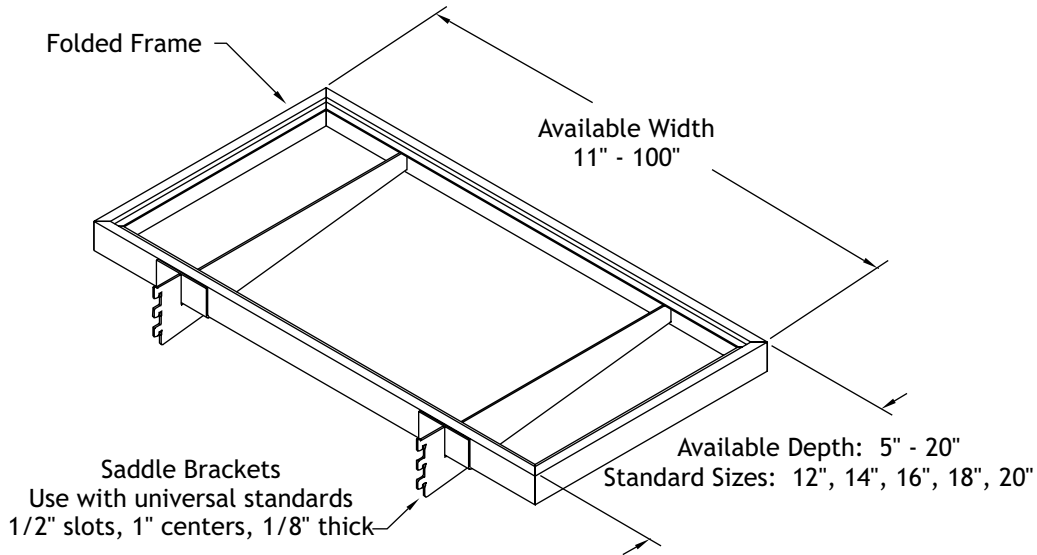
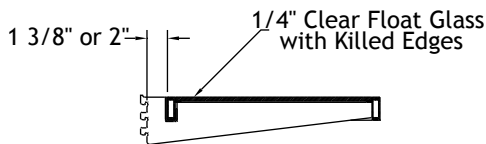


Shelf Frame

The Shelf Frame is a lightweight aluminum frame with smooth, folded corners. The frame rests on independent bracketry, which makes changing shelf locations easy. This shelf is designed for 1/4" glass which nests inside the frame. You can also use 3/8" glass but will not sit flush with shelf top.

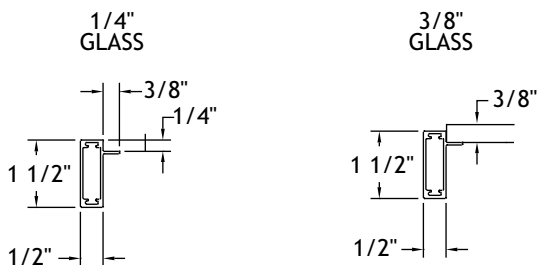


Framed Shelf Bracket Detail



BRACKET QUANTITY CHART	
OVERALL WIDTH	BRACKET QTY
11" - 31.99"	2
32" - 55"	3
55.01" - 79"	4
79.01" - 100"	5

Framed Shelf Extrusion Profile



GLASS SIZING CHART
GLASS LENGTH = SHELF LENGTH - 1.125"
GLASS DEPTH = SHELF DEPTH - 1.125"

SHELF FRAME		
MODEL #	DESCRIPTION	SPECIFICATION DRAWING
790001	SHELF FRAME	981022

- Notes:**
- Steel saddle brackets to have 1/2" slots with 1" centers by 1/8" thick (obtain locally)
 - Maximum shelf load: 20 lbs. per linear foot.
 - Shelves longer than 74" will have mitered corners.
 - This shelf requires a brushed finish (218 recommended).
 - Glass supplied by others unless otherwise noted.

AFS01