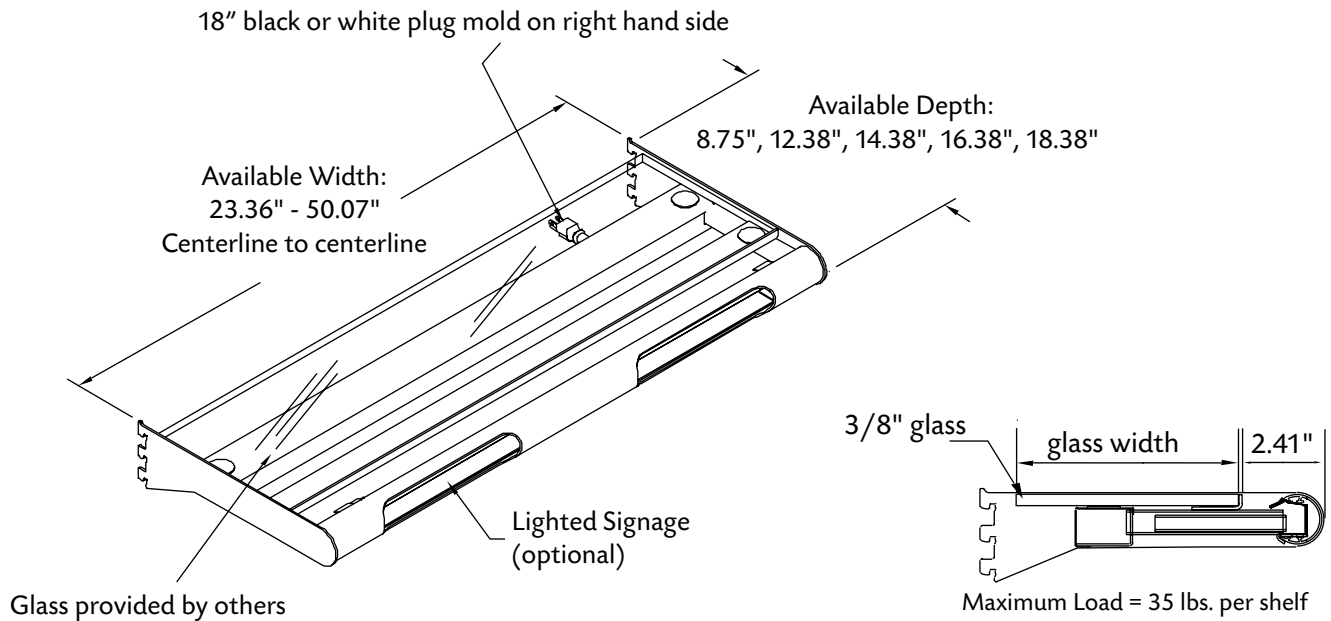


Plug-In Light Shelf

The Plug-in Light Shelf allows several tiers of product to be lit from top to bottom. This rendition of the shelf features a reflector shell that may be fabricated to display back-lit signage. The shell snaps easily on and off the shelving frame to facilitate lamp and signage changes. The shelf is also available with an optional slide out shelf to create multiple marketing environments.

With anodized aluminum reflector shells and matching powder-coated steel shelf frames, the Plug-in Light Shelf comes largely pre-assembled. To install, simply attach the units to standards, position the glass shelving in place and connect the power cord.



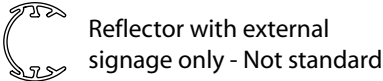
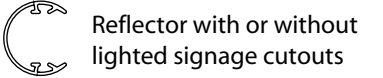
PLUG-IN LIGHT SHELF SIZE CHART						
SHELF LENGTH ON CENTER		STANDARD MODEL #	MODEL # W/SLIDE OUT SHELF	LAMP TYPE	LAMP LENGTH	MODEL
MINIMUM	MAXIMUM					
23.36"	26.44"	680010	680014	F14T5	22"	SINGLE LAMP
26.47"	33.56"	680011	680015	F8T5/F8T5	12"/12"	DUAL LAMP
33.59"	35.13"	680011	680015	F14T5/F6T5	22"/9"	DUAL LAMP
35.17"	38.25"	680010	680014	F21T5	34"	SINGLE LAMP
45.37"	46.94"	680011	N/A	F21T5/F6T5	34"/9"	DUAL LAMP
46.99"	50.07"	680010	N/A	F28T5	46"	SINGLE LAMP
12"	12"	680012	N/A	F6T5	9"	CURVED

Notes: • Depth is measured from the wall to the end of the shelf.

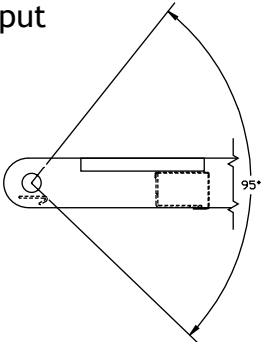
LTSH01

Plug-In Light Shelf

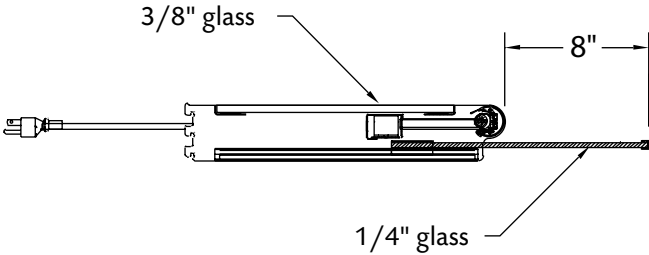
Reflector Options



Light Output

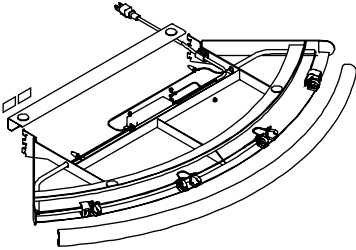


Standard Plug-in Light Shelf with Slide Out Shelf



Maximum Load = 10 lbs. per slide out shelf

Standard Plug-in Light Shelf Curved



DESCRIPTION	PART #
SPECIFICATION DRAWING	981004
SPECIFICATION DRAWING	981021 (W/SLIDE OUT SHELF)
INSTRUCTION BULLETIN	971241

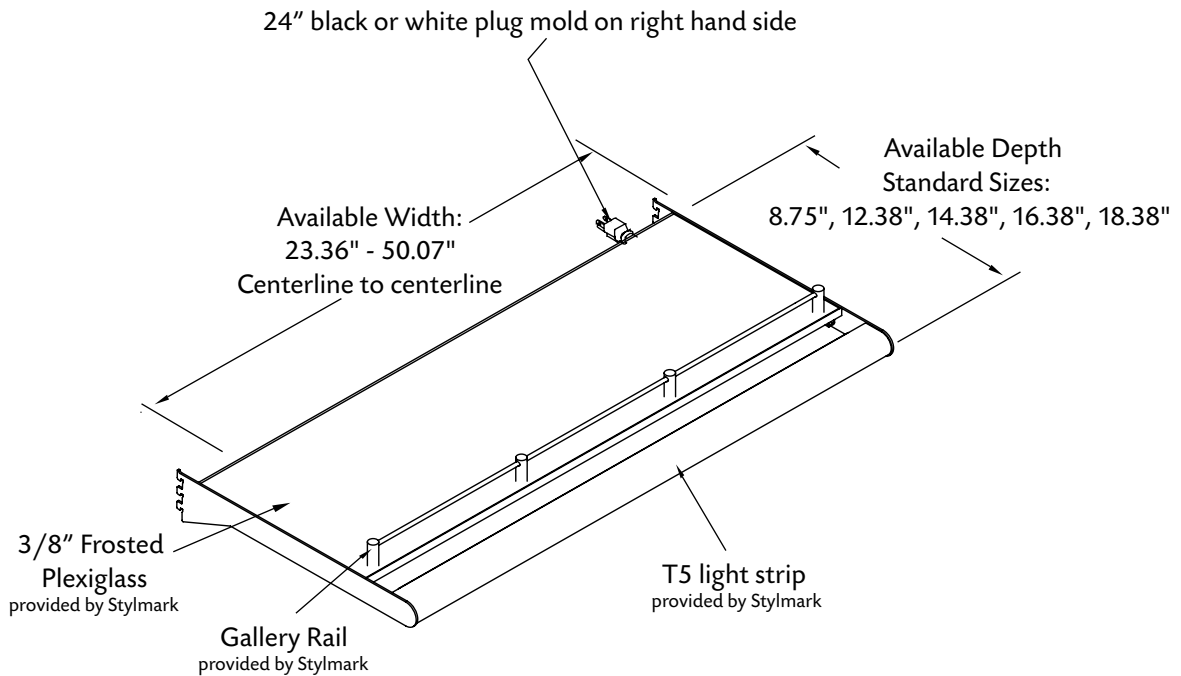
- Notes:**
- Plug-In Light Shelf utilizes Stylmark LED non-powered standards.
 - Glass and lamps are not supplied unless otherwise noted.
 - If reflector cutouts are required, please supply drawings.
 - Stylmark Plug-In Light Shelf is UL and cUL listed.

LTSH01

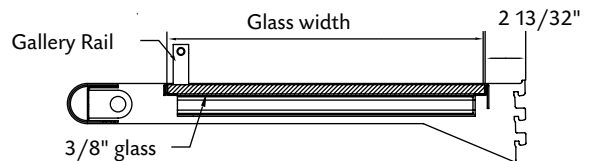
Plug-In Light Shelf with Gallery Rail

Add a decorative yet functional touch to shelving units by installing the Stylmark Plug-in Light Shelf with Gallery Rail. The stainless steel puck and rail system ensures products stay on the shelf while maintaining easy access to the merchandise.

With a powder-coated frame and shell, the Plug-in Light with Gallery Rail Shelf comes largely pre-assembled. To install simply attach the unit to standards, position the plexiglass shelving, insert the gallery rail and connect the power cord.



DESCRIPTION	PART #
SPECIFICATION DRAWING	981057



Maximum Load = 35 lbs. per shelf

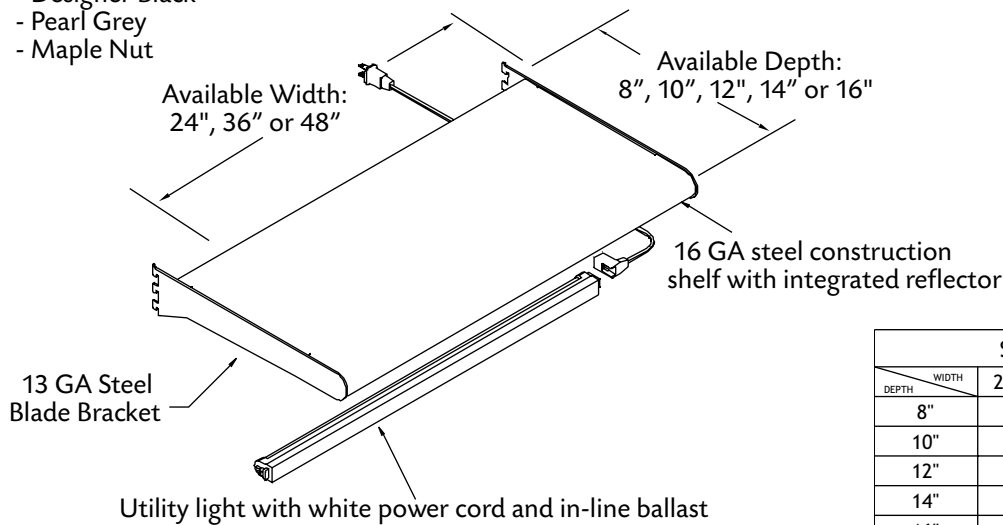
- Notes:**
- Steel standards to have 1/2" slot with 1" spacing by 1/8" thick (obtain locally).
 - Glass and lamps are not supplied unless otherwise.
 - Stylmark Plug-In Light Shelf is UL and cUL listed.

GRS01

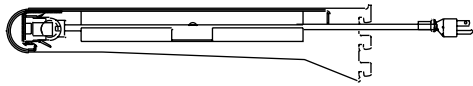
Plug-In Light Shelf with Inline Ballast

This Plug-in Light Shelf features an integrated reflector, which includes utility light and in-line ballast. Available in four standard powder-coat finishes, this shelf provides clean lines and maximum durability. You may also soften the look of the shelf by inserting an optional center glass panel.

- Powdercoat Finishes Available
- Bright White
 - Designer Black
 - Pearl Grey
 - Maple Nut

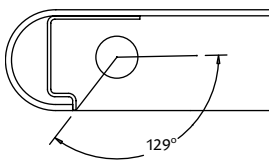


DEPTH \ WIDTH	24" - 24-1/2"	36" - 36-1/2"	48" - 48-1/2"
8"	18	27	36
10"	23	35	45
12"	27	41	55
14"	32	48	64
16"	36	55	73



Available with left hand or right hand wiring

Light Output



DESCRIPTION	PART #
SPECIFICATION DRAWING	981052

MODEL #	SHELF LENGTH ON CENTER	SHELF DEPTH	OVERALL DEPTH	LAMP TYPE	LAMP LENGTH
680028-16	24"	8"	9-19/32"	ES22	23-1/8"
680028-17	24"	10"	11-19/32"	ES22	23-1/8"
680028-18	24"	12"	13-19/32"	ES22	23-1/8"
680028-19	24"	14"	15-19/32"	ES22	23-1/8"
680028-20	24"	16"	17-19/32"	ES22	23-1/8"
680028-21	36"	8"	9-19/32"	ES34	34-7/8"
680028-22	36"	10"	11-19/32"	ES34	34-7/8"
680028-23	36"	12"	13-19/32"	ES34	34-7/8"
680028-24	36"	14"	15-19/32"	ES34	34-7/8"
680028-25	36"	16"	17-19/32"	ES34	34-7/8"
680028-26	48"	8"	9-19/32"	ES46	46-3/4"
680028-27	48"	10"	11-19/32"	ES46	46-3/4"
680028-28	48"	12"	13-19/32"	ES46	46-3/4"
680028-29	48"	14"	15-19/32"	ES46	46-3/4"
680028-30	48"	16"	17-19/32"	ES46	46-3/4"

- Notes:**
- Steel standards to have 1/2" slot with 1" spacing by 1/8" thick (obtain locally).
 - Glass and lamps are not supplied unless otherwise.
 - Stylmark Plug-In Light Shelf is UL and cUL listed.