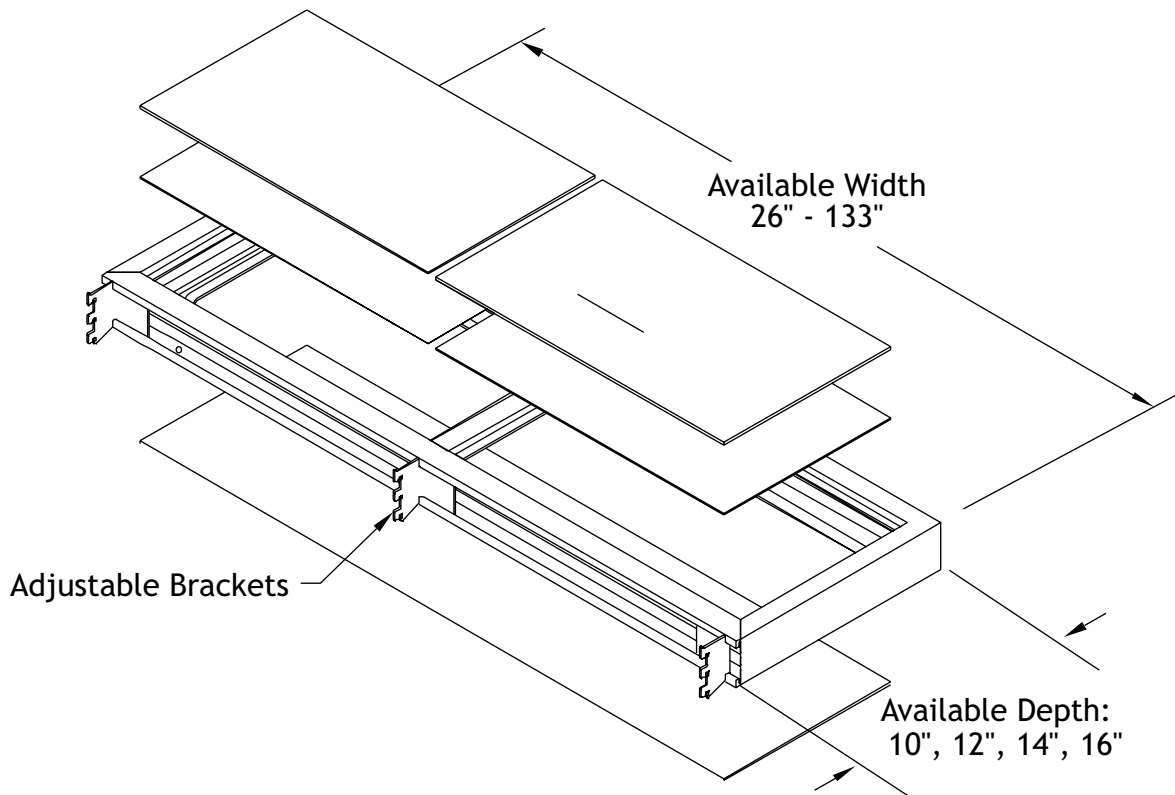


Framed Light Shelf

Stylmark's Framed Light Shelf is a shadow-box style system designed to elegantly display china, crystal and other fine giftware. Constructed of an aluminum frame, this shelf utilizes a hard-wired lamp and accommodates a prismatic lens to spread light evenly between shelves. For longer applications, this shelf is designed to hold one continuous lamp without center bracket interference. To ease installation, fully adjustable brackets allow for slight variations in standard placement.

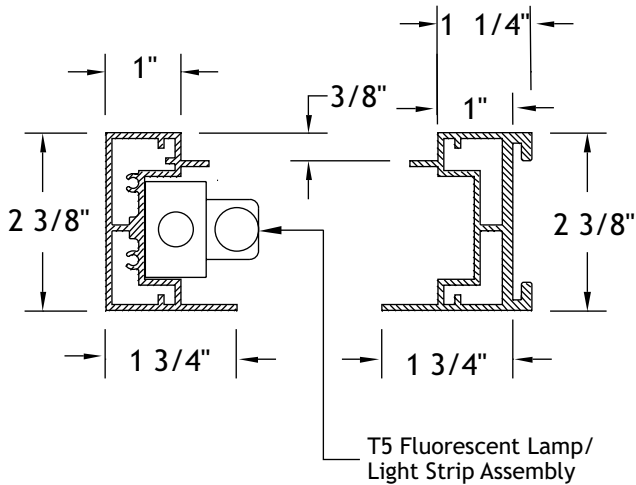


FRAMED LIGHT SHELF SIZE CHART				
SHELF WIDTH		STANDARD MODEL #	DESCRIPTION	BRACKET QTY
MINIMUM	MAXIMUM			
26"	71.938"	680020-01	FOLDED CORNERS, SINGLE LAMP	2
72"	73.625"	680020-02	FOLDED CORNERS, SINGLE LAMP	3
74"	133"	680021	MITRED CORNERS, DUAL LAMP	3 OR 4
26"	71.938"	680022-01	FOLDED CORNERS, NO LAMP	2
72"	73.625"	680022-02	FOLDED CORNERS, NO LAMP	3
74"	133"	680023	MITRED CORNERS, NO LAMP	3 OR 4

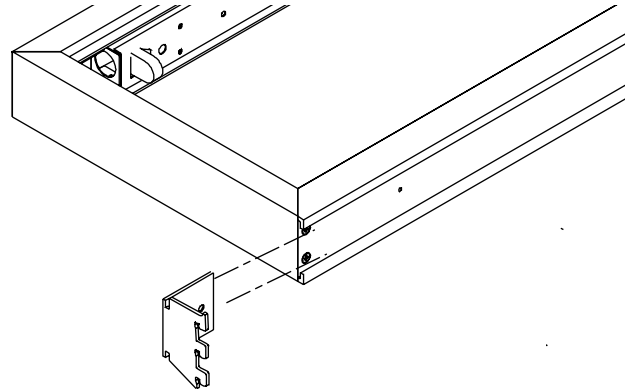
FLS01

Framed Light Shelf

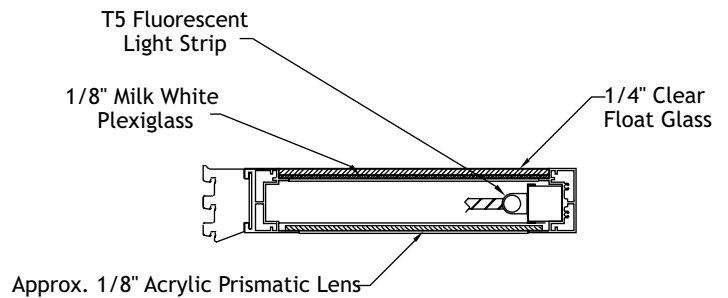
Shelf and Light Detail



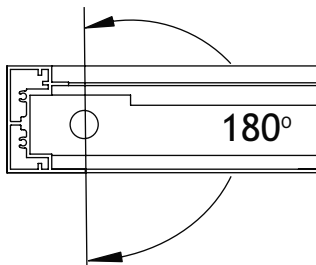
Adjustable Bracket Detail



Side Section View



Light Output



LIGHTING CHART

MINIMUM O.A. WIDTH	NUMBER OF LAMPS	LAMP TYPES	ACTUAL LAMP LENGTH
26.00	1	F14T5	22.2"
38.00	1	F21T5	34.0"
50.00	1	F28T5	45.8"
62.00	1	F35T5	57.6"
74.00	2	F21T5 & F21T5	34" & 34"
86.00	2	F21T5 & F28T5	34" & 45.8"
98.00	2	F28T5 & F28T5	45.8" & 45.8"
110.00	2	F28T5 & F35T5	45.8" & 57.6"
122.00	2	F35T5 & F35T5	57.6" & 57.6"

DESCRIPTION	PART #
SPECIFICATION DRAWING	981047

SHELF LOAD CHART (lbs)

WIDTH	LENGTH				
	24"	36"	48"	60"	72"
10"	80	90	100	110	124
12"	65	75	85	95	102
14"	50	60	70	80	89
16"	40	50	60	70	78

- Notes:**
- Steel standards to have 1/2" slot with 1" spacing by 1/8" thick (obtain locally).
 - Stylmark does not supply glass, prismatic lens, lamps or standards.
 - Shelves larger than 74" will have mitered corners.
 - This shelf requires a brushed finish (218 recommended).
 - Stylmark Framed Light Shelf is UL and cUL listed.

FLS01