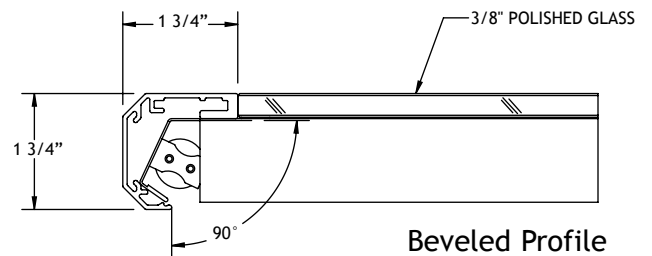
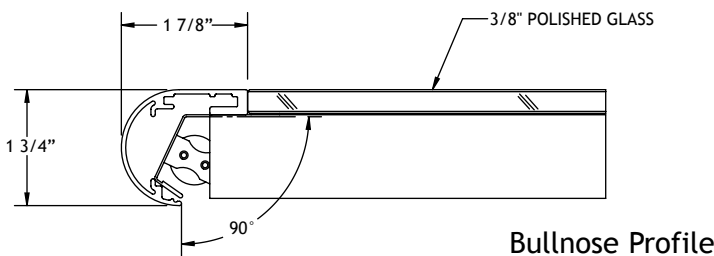
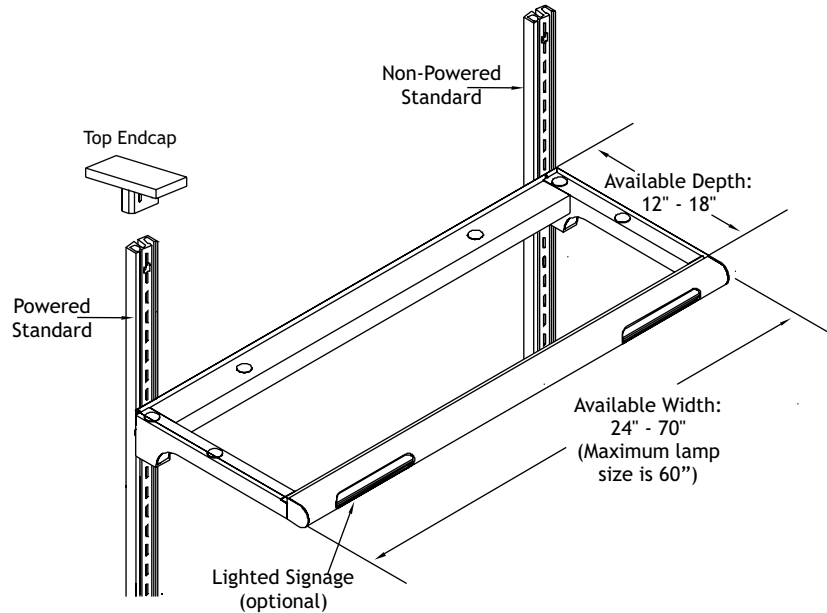


# Fluorescent Power Track Light Shelf

Lighting shelves top to bottom has never been easier, thanks to Stylmark's patented Power Track Light Shelf. This self-contained lighting unit simply connects to a Stylmark powered shelf standard. The result is a beautifully lit shelving unit with no visible cords. This rendition of the shelf features two reflector shell profiles that may be fabricated to display back-lit signage. The shell snaps easily on and off the shelving frame to facilitate lamp and signage changes.



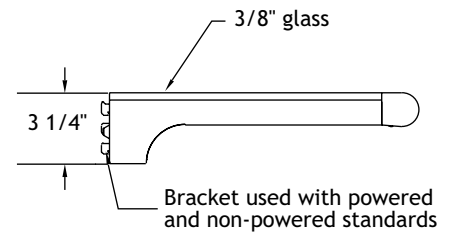
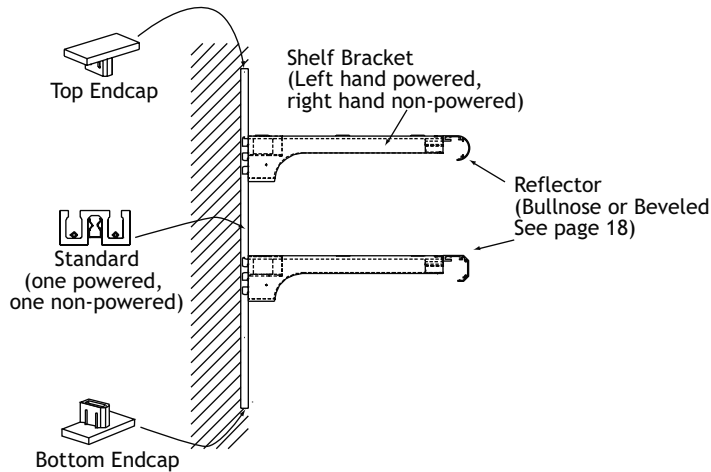
POWER TRACK LIGHT SHELF	
MODEL #	DESCRIPTION
681803	SHELF LIGHT WITH HALOGEN LAMPS
681805	SHELF LIGHT WITH FLUORESCENT LAMPS

DESCRIPTION	PART #
SPECIFICATION DRAWING	981003
INSTRUCTION BULLETIN	971359

- Notes:**
- Depth does not include reflector dimensions (see page 18 for reflector dimensions).
  - Stylmark Power Track Light Shelf is UL and cUL listed.

SHLT01

# Fluorescent Power Track Light Shelf

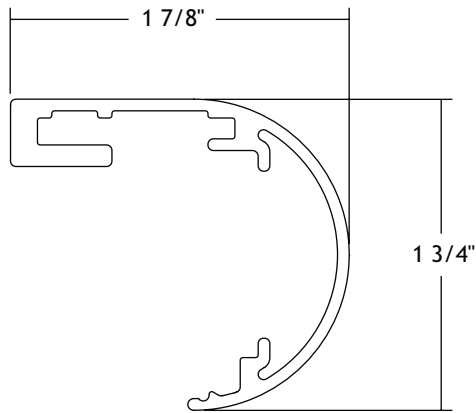


POWER TRACK LIGHT SHELF LOAD CHART (lbs)					
SHELF DEPTH	GLASS	REFLECTOR LENGTH			
		24"	36"	48"	60"
12"	1/4"	36	15	8	-
	3/8"	90	51	32	15
14"	1/4"	42	18	9	-
	3/8"	105	60	37	18
16"	1/4"	48	20	11	-
	3/8"	112	68	43	20
18"	1/4"	54	2	12	-
	3/8"	112	77	48	23

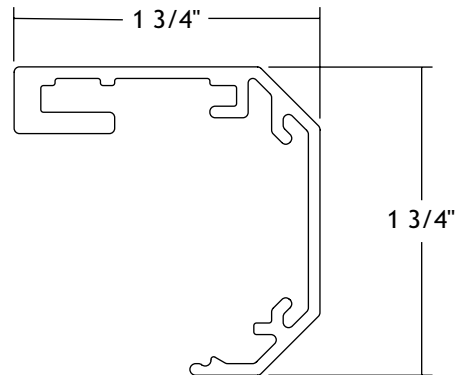
- Notes:**
- Glass and lamps not supplied unless otherwise noted.
  - Light shield available to prevent lamp glare when reflectors are above sight line.
  - Stylmark Power Track Light Shelf is UL and cUL listed.

SHLT01

# Fluorescent Power Track Light Shelf

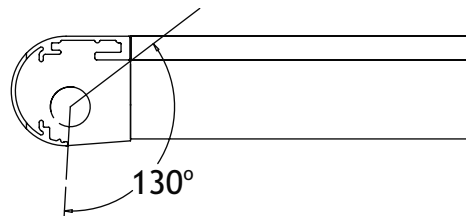


**Bullnose Reflector Shell**  
Available for 3/8" and 1/4"  
glass



**Beveled Reflector Shell**  
Available for 3/8" glass

### Light Output



POWER TRACK REFLECTORS AND LAMP SIZE CHART				
SHELF WIDTH		LAMP LENGTH	LAMP TYPE	ON CENTER
MINIMUM	MAXIMUM			
24"	35.75"	24"	F14T5	22 3/4"
36"	47.75"	36"	F21T5	34 3/4"
48"	59.75"	48"	F28T5	46 3/4"
60"	70"	60"	F35T5	58 3/4"
24"	60"	HALOGEN	10T3	VARIABLE

**Notes:** • If reflector cutouts are required, please supply drawings.

SHLT01