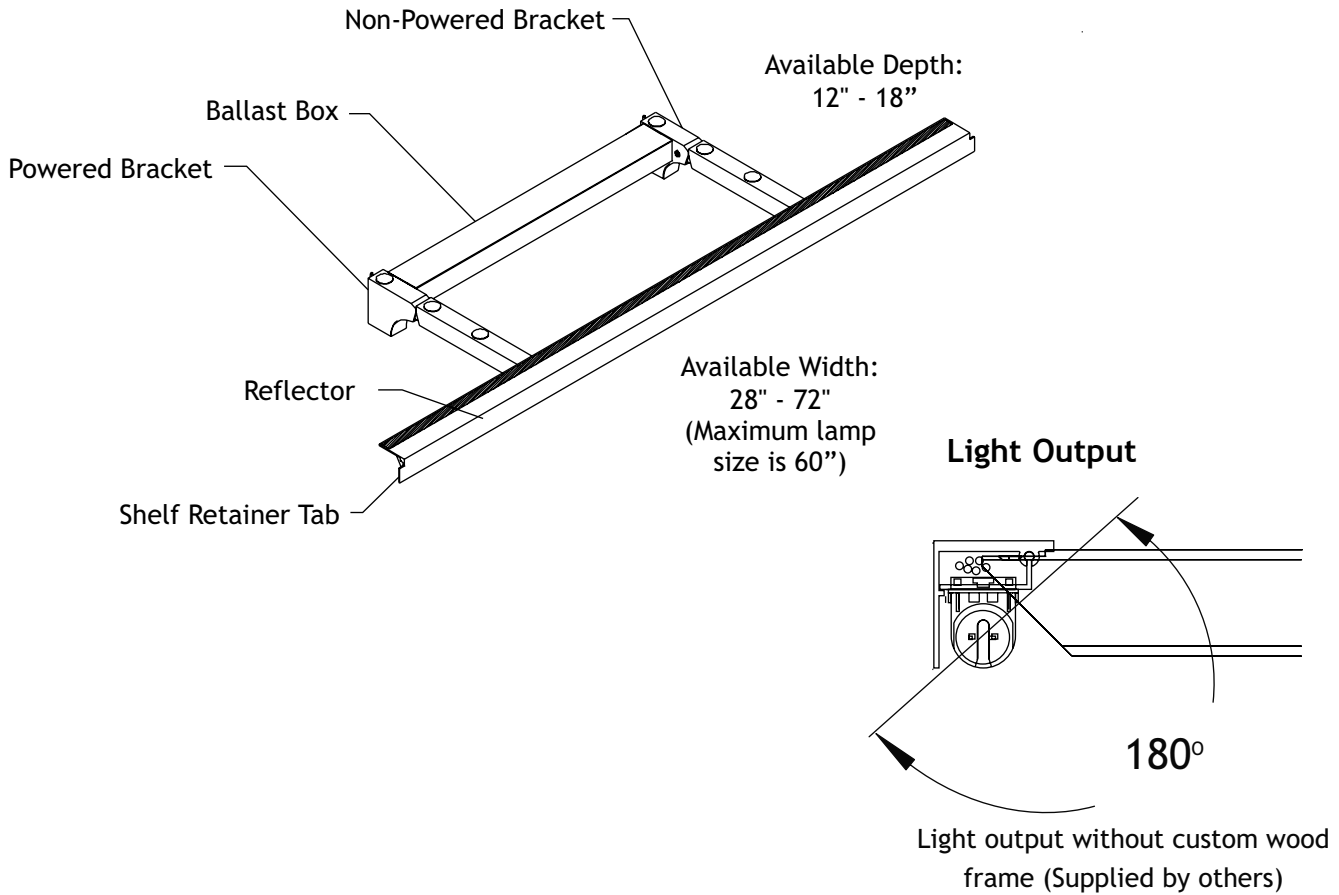


Adjustable Light Shelf

The adjustable light shelf features hinged bracketry which allows merchandise to be displayed at an angle. Should a merchandise changeout require 90° shelving, simply lock the bracket into its horizontal position. The shelf connects to a Stylmark powered standard eliminating the need for cords and plug molds.



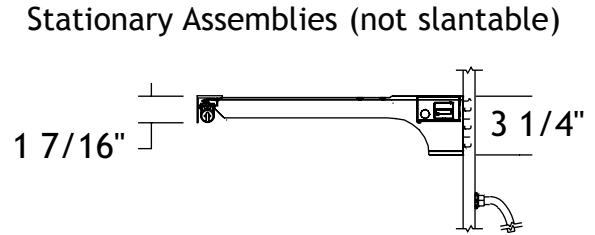
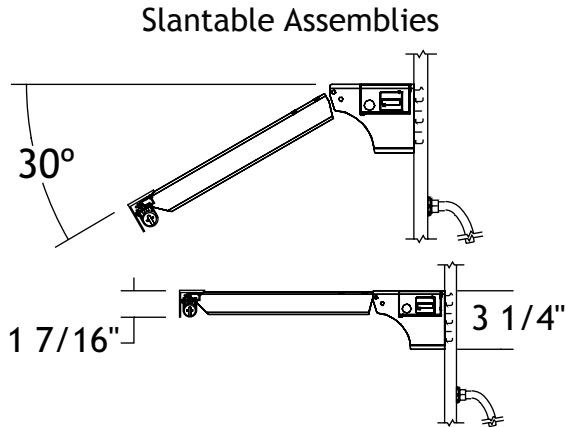
ADJUSTABLE LIGHT SHELF			
MODEL #	DESCRIPTION	SPECIFICATION DRAWING	INSTRUCTION BULLETIN
682805	2 BRACKET SLANTABLE	981019	971363
682815	3 BRACKET SLANTABLE	981019	971363
682825	2 BRACKET STATIONARY	981023	971363
682835	3 BRACKET STATIONARY	981023	971363

- Notes:**
- Glass available upon request.
 - Stylmark Adjustable Light Shelf is UL and cUL listed.

SLNT01

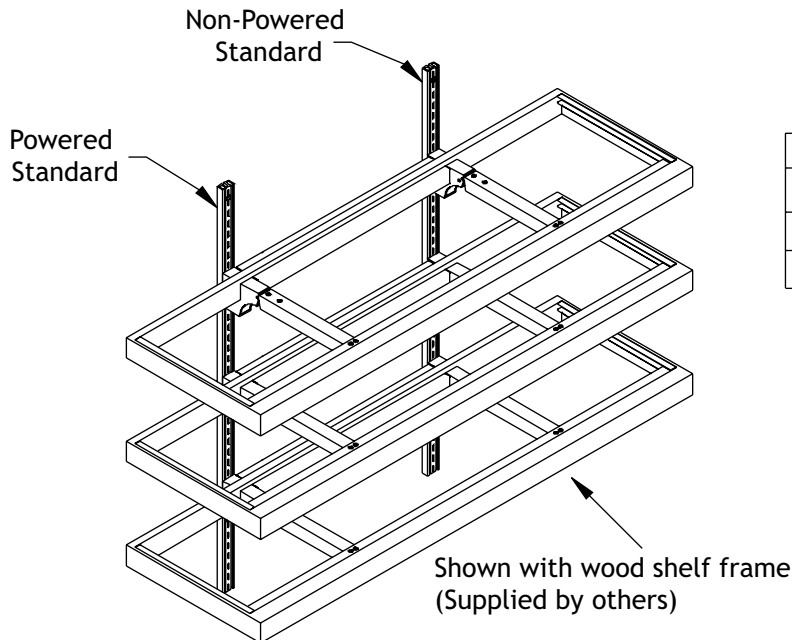
Adjustable Light Shelf

Reflector/Bracket Assemblies



Standards

Adjustable Light Shelf utilizes one powered and one non powered standard (See page 19 for details).



ADJUSTABLE LIGHT SHELF STANDARDS	
MODEL #	DESCRIPTION
580201	POWERED STANDARD
580202	NON POWERED STANDARD

Notes:

- Adjustable Light Shelf utilizes one powered and one non powered Stylmark standard, ranging in height from 12" to 96".
- Standards may be anodized to match shelves.
- Stylmark Adjustable Light Shelf is UL and cUL listed.

SLNT01