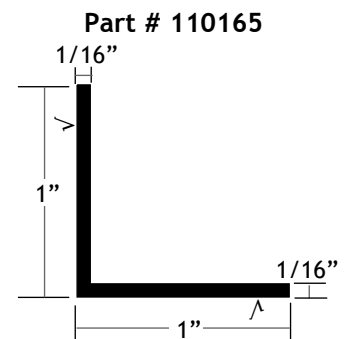
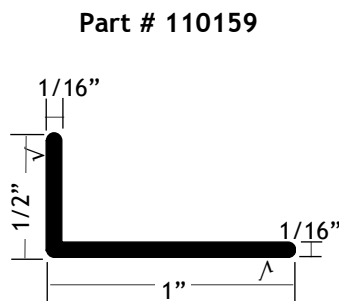
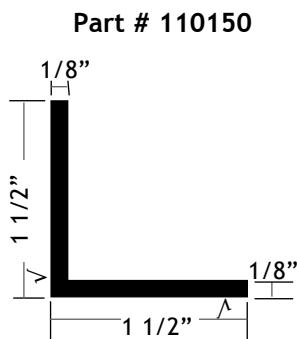
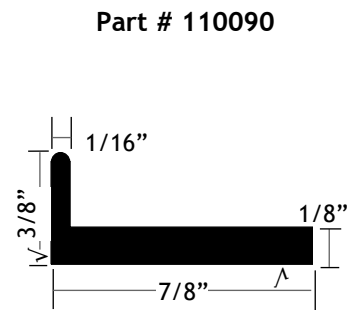
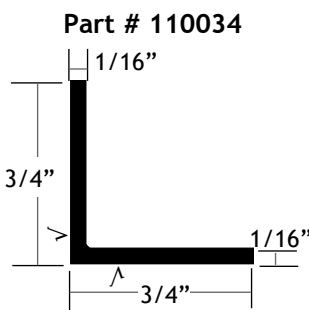
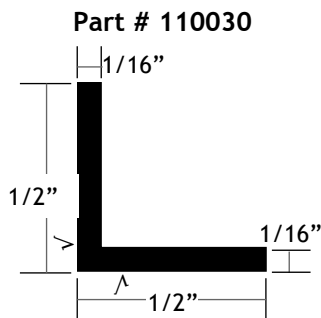
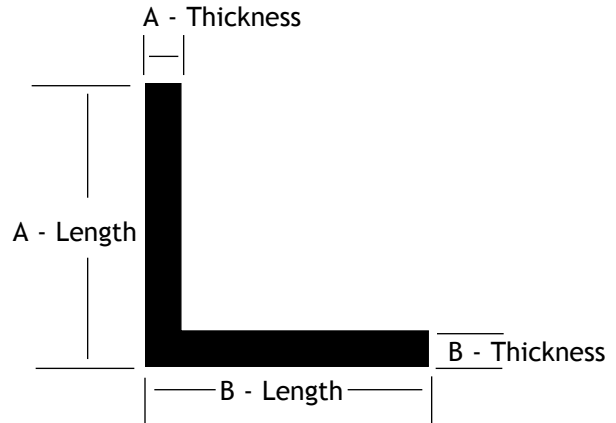


Angles

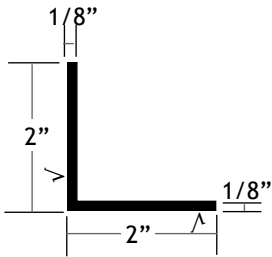
PART #	A LENGTH	A THICKNESS	B LENGTH	B THICKNESS
110030	1/2"	1/16"	1/2"	1/16"
110034	3/4"	1/16"	3/4"	1/16"
110090	3/8"	1/16"	7/8"	1/8"
110150	1 1/2"	1/8"	1 1/2"	1/8"
110159	1/2"	1/16"	1"	1/16"
110165	1"	1/16"	1"	1/16"
110167	2"	1/8"	2"	1/8"
110168	3/4"	1/8"	1 1/2"	1/8"
110180	7/16"	1/16"	5/8"	1/16"
110182	3/8"	1/16"	1 1/4"	1/16"
110293	1"	1/16"	2 1/2"	1/16"
110306	1 1/2"	1/8"	1 1/2"	1/8"
110451	7/8"	1/16"	7/8"	1/16"
110728	9/16"	1/16"	1 17/32"	1/16"
110737	1/4"	1/16"	1"	1/16"
120059	5/16"	3/64"	5/8"	3/64"
120062	17/32"	1/16"	7/8"	1/8"



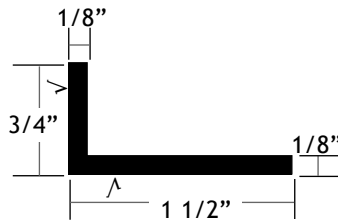
√ = finished surface
 Drawings are not actual size

Angles

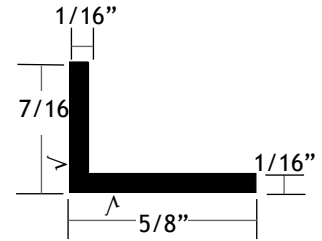
Part # 110167



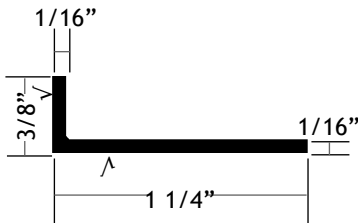
Part # 110168



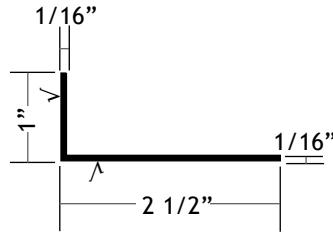
Part # 110180



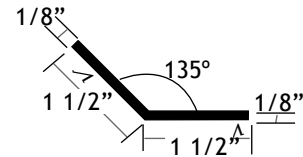
Part # 110182



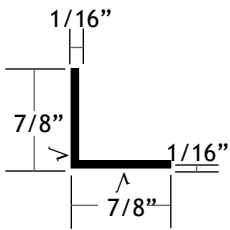
Part # 110293



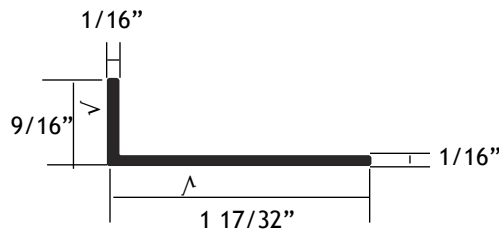
Part # 110306



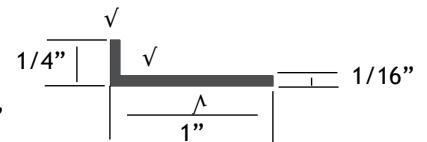
Part # 110451



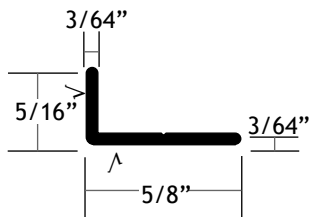
Part # 110728



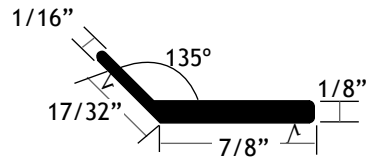
Part # 110737



Part # 120059



Part # 120062



√ = finished surface
Drawings are not to scale