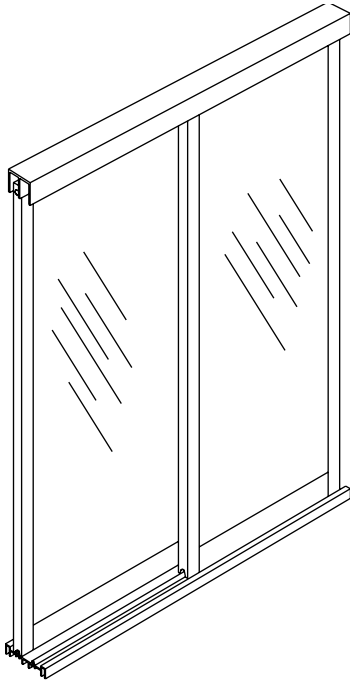
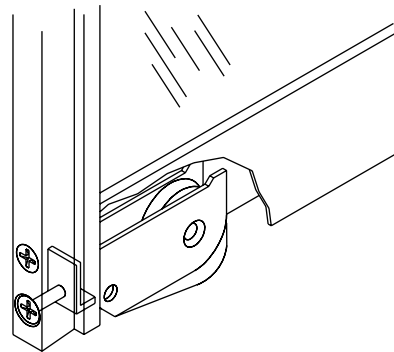


Wardrobe Doors

Wardrobe Doors from Stylmark are designed to give years of trouble free service. Wheel assemblies are incorporated into the bottom rail, providing a smooth rolling, long lasting unit. Additional features include cantilevered rollers to easily accommodate out-of-plumb field conditions and optional security door styles to provide additional protection.



Cantilevered Rollers
 These wheels adjust easily to accommodate out-of-plumb field conditions and height variations plus 1 1/2" and minus 5/8"

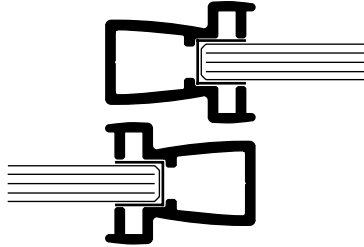


ORDERING WARDROBE DOORS		
MODEL #	DESCRIPTION	DIMENSIONS: WIDTH x HEIGHT
630017	2 DOOR CONVENTIONAL STYLE	OPENING SIZE
630019	2 DOOR SECURITY STYLE	OPENING SIZE
630021	3 DOOR CONVENTIONAL STYLE	OPENING SIZE
630022	3 DOOR SECURITY STYLE	OPENING SIZE

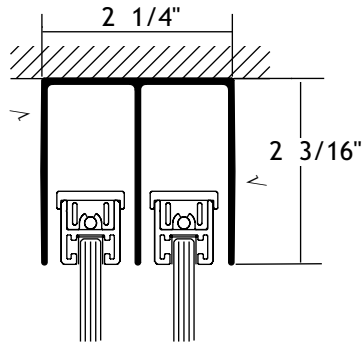
- Notes:
- Assemblies do not have a vertical jamb member.
 - The maximum weight per door must not exceed 125 pounds in weight, which is equivalent to a 5' x 8' door panel glazed with a 1/4" mirror.
 - Security style doors accept up to 1" diameter locks.

Wardrobe Doors

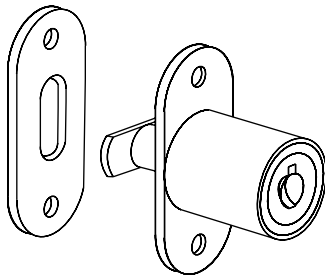
Conventional Door Style



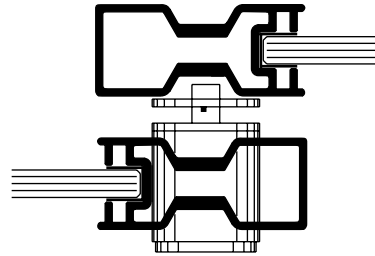
Part #130022
Wardrobe Door Header



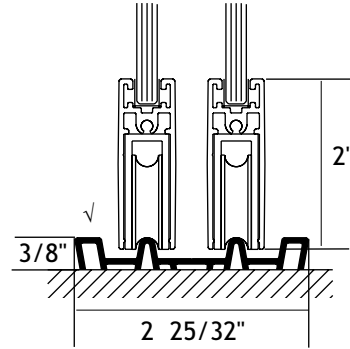
Part #530024*
T-Bolt Plunger Lock



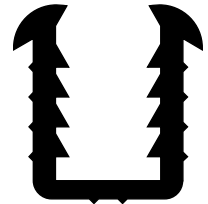
Security Door Style



Part #130023
Wardrobe Door Track



Part #139007
Glazing Vinyl for 1/4" Panels



Wardrobe door assemblies come complete with an accessory package that includes: Rubber bumper, top guide wheel assembly, screws and lock (security style only).

√ = finished surface

Notes: • *Part #530024 used exclusively with security doors.

WARDROBE DOOR ACCESSORIES KIT	
PART#	DESCRIPTION
212030	8 x 1 PAN HEAD SCREW
212037	8 x 1 1/4 PAN HEAD SCREW
213036	8-32 X 1 9/16 SCREW
221015	RUBBER BUMPER
330017	TOP GUIDE
530011	WHEEL ASSEMBLY