




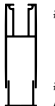



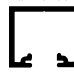
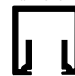


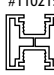





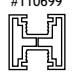

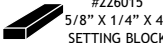
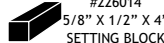





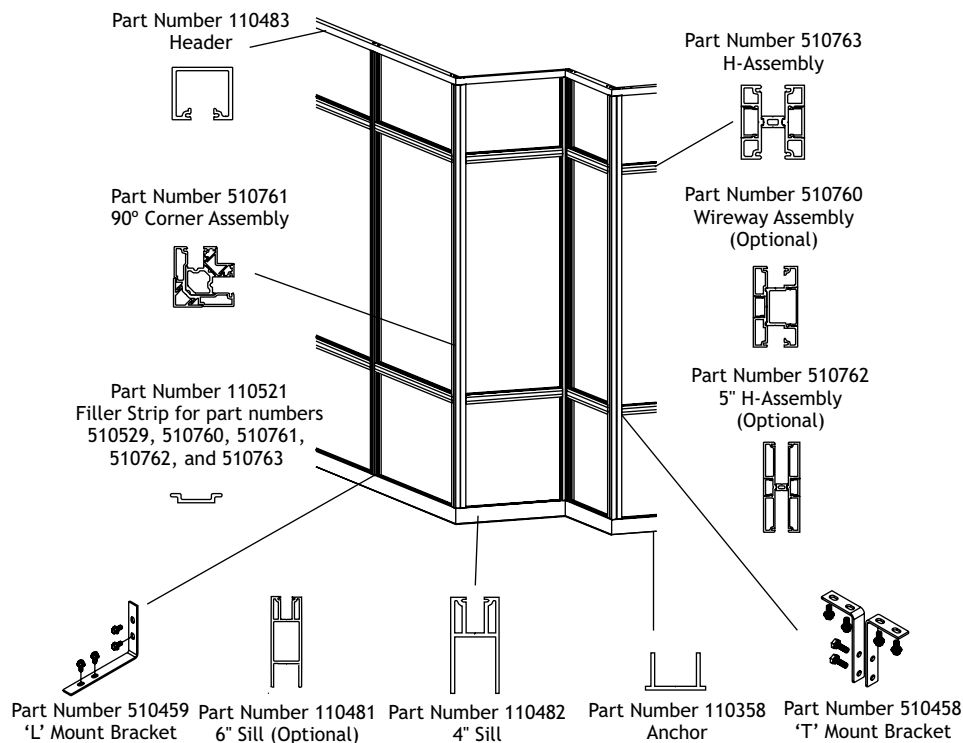


WallMaker®

Our WallMaker system includes versatile interior store front components that offer the quality you expect from Stylmark. Extrusions are designed for 1/2" or 3/8" glass and may be ordered in standard 12 foot stock lengths or made-to-order lengths. Headers and sills are available in a variety of configurations to maximize design flexibility. One of WallMakers greatest assets is its ease of installation. With few parts, no exposed fasteners and a simple snap-together process, you can create a beautiful, unique glass wall in no time.

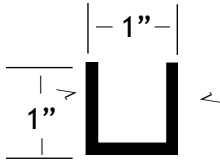
ORDERING WALLMAKER								
SILLS & ANCHOR	#110361 1" SILL 	#110375 4" SILL 	#110481 6" SILL 	#110482 4" SILL 	#110568 4" SILL NO ANCHOR 	#110698 4" SILL 	#110697 ANCHOR 	
HEADERS	#110359 	#110399 	#110483 	#110434 	#110360 	#110700 		
VERTICAL POSTS	#110215 	#510529 	#510763 	#510761 	#510762 	#510760 	#110699 	#110521 FILLER STRIPS #110194 
SETTING BLOCKS	#226015 5/8" X 1/4" X 4" SETTING BLOCK 		#226014 5/8" X 1/2" X 4" SETTING BLOCK 					
ENDCAPS	 1/2" ENDCAP		 1/8" ENDCAP					
BRACKETS	 90 DEGREE BRACKET FOR SILLS		 120 DEGREE BRACKET FOR SILLS		 135 DEGREE BRACKET FOR SILLS			



WallMaker®

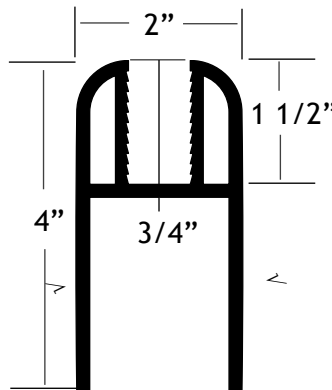
Sills and Anchors

Part #110361 Sill

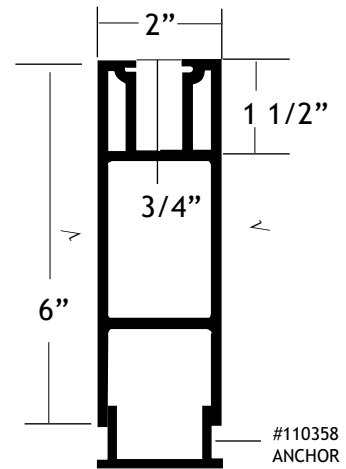


The glass height will be 1 1/2" less than the overall unit height when using Sill #110361 with Header #110360.

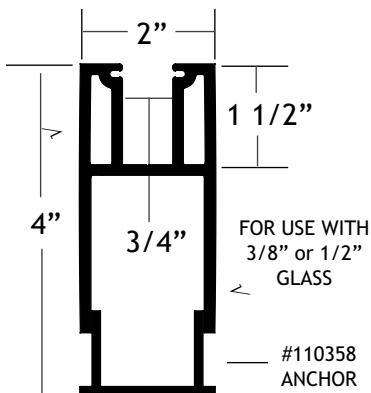
Part #110375 Sill
Part #110358 Anchor



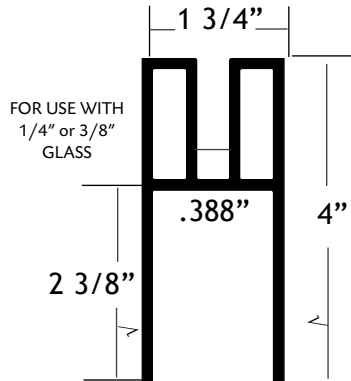
Part #110481 Sill
Part #110358 Anchor



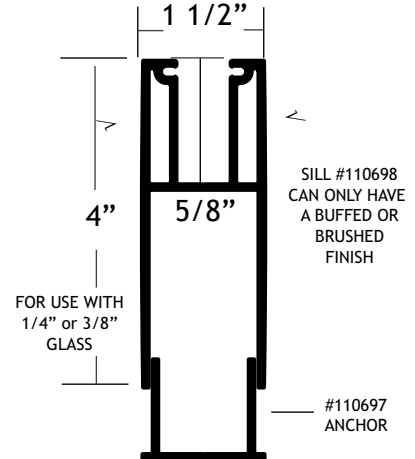
Part #110482 Sill
Part #110358 Anchor



Part #110568 Sill*



Part #110698 Sill**
Part #110697 Anchor**



GLASS SIZES FOR WALLMAKER	
SILL SIZE	GLASS SIZE
4"	4 1/2" LESS THAN OVERALL HEIGHT
6"	6 1/2" LESS THAN OVERALL HEIGHT

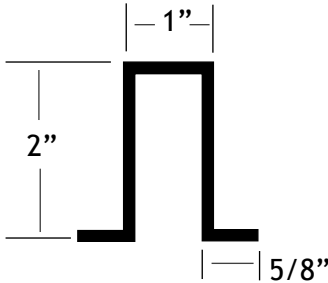
√ = finished surface

- Notes:**
- *Part #110568 Sill only; anchor, endcaps and glazing not available.
 - **Part #110698 and #110697 stock length is 120".

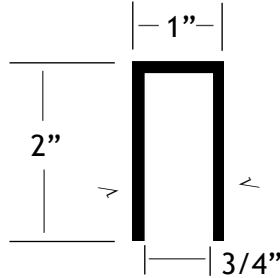
WallMaker[®]

Headers and Vertical Posts

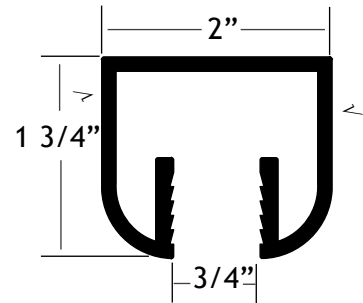
Part #110359
Header with Legs



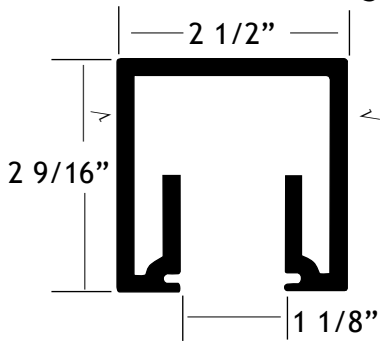
Part #110360
Header



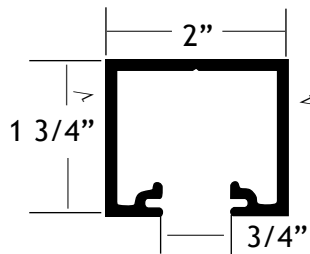
Part #110399
Header



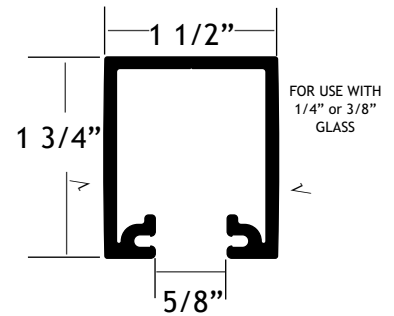
Part #110434
Deluxe Header for 3/4" glass



Part #110483
Header

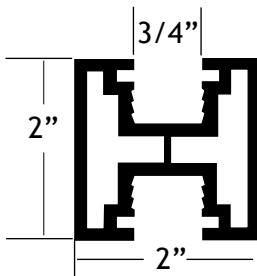


Part #110700*
Header

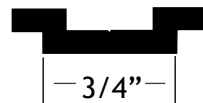


Vertical Posts

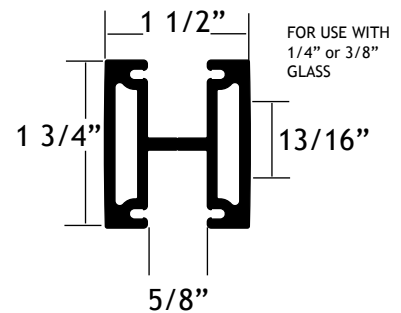
Part #110215
Vertical Post



Part #110194
Filler Strip for # 110215



Part #110699
Vertical Post



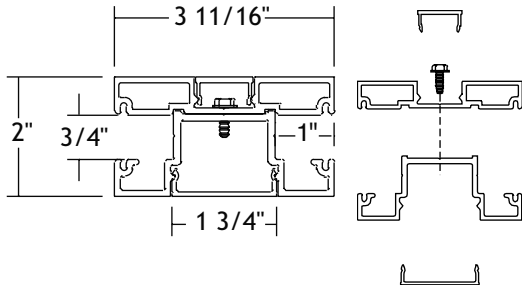
Notes: • *Part #110700 stock length is 120".

√ = finished surface

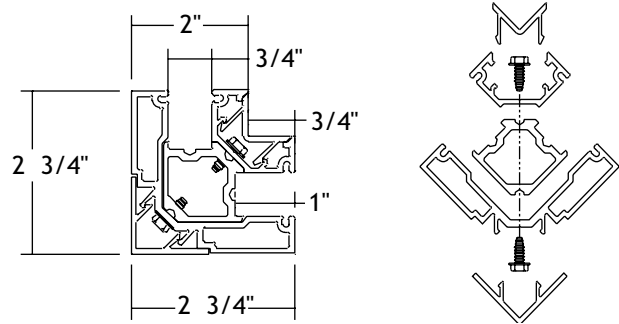
WallMaker®

Vertical Assemblies

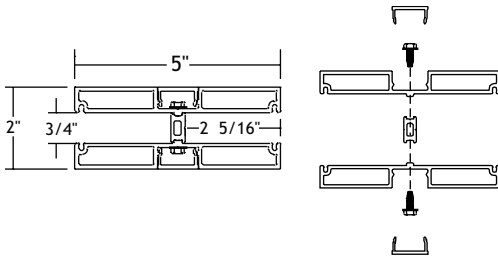
Part #510760
Wireway Assembly



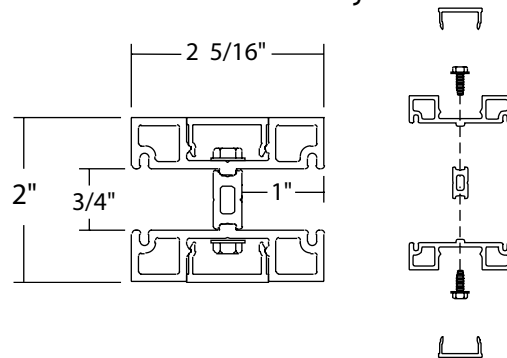
Part #510761
90° Corner Assembly



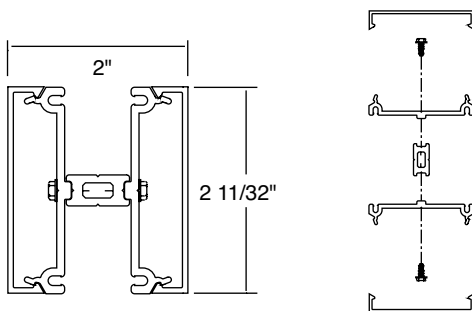
Part #510762
5\" H-Assembly



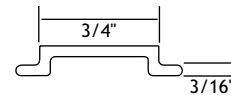
Part #510763
H-Assembly



Part #510529
Smooth H-Assembly



Part #110521
Filler Strip for part numbers 510529,
510760, 510761, 510762, and 510763

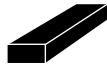


√ = finished surface

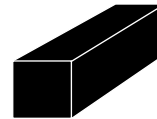
WallMaker®

Glazing Vinyl and Setting Blocks

Part #226015
5/8" x 1/4" x 4"
Setting Block

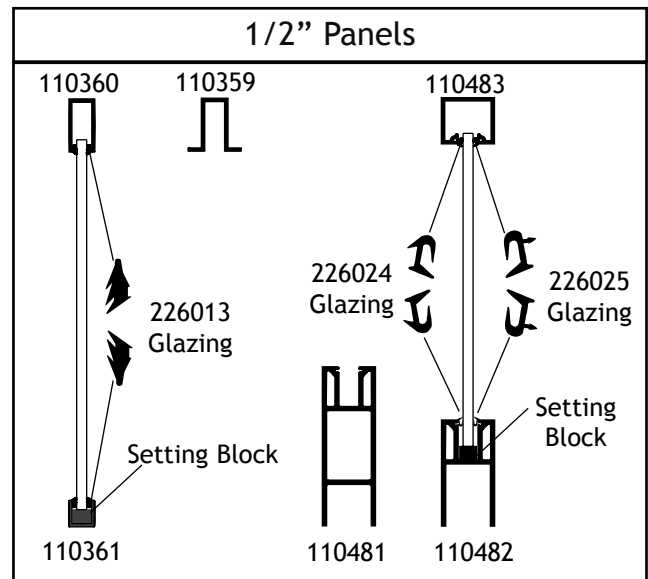
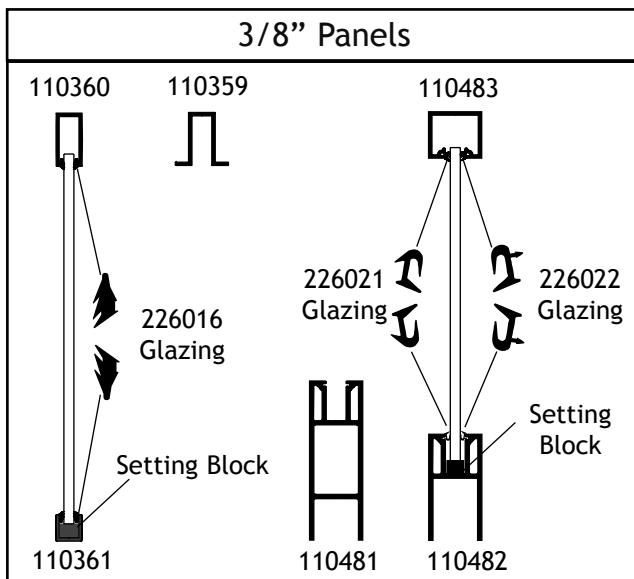


Part #226014
5/8" x 1/2" x 4"
Setting Block



MODEL #	DESCRIPTION	1/4"	3/8"	1/2"
110481	SILL	N/A	226021 & 226022	226024 & 226025
110375	SILL	N/A	226016	226013
110482	SILL	N/A	226021 & 226022	226024 & 226025
110698	SILL	226021 & 226022	226024 & 226025	N/A
110359	HEADER WITH LEGS	N/A	226016	226013
110360	HEADER	N/A	226016	226013
110399	HEADER	N/A	226016	226013
110483	HEADER	N/A	226021 & 226022	226024 & 226025
110700	HEADER	226021 & 226022	226024 & 226025	N/A

Note: Deluxe Header #110434 for 3/4" glass uses #226021 & #226022 glazing vinyl.

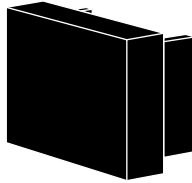


WallMaker®

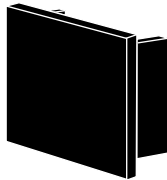
Endcaps

ENDCAPS			
PART#	DESCRIPTION	1/8" ENDCAP	1/2" ENDCAP
110360	HEADER	410412	N/A
110361	SILL	410413	N/A
110434	HEADER	410896	N/A
110481	SILL	410545	410544
110482	SILL	410367	410543
110483	HEADER	410366	410542
110568	SILL	411439	N/A

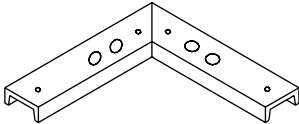
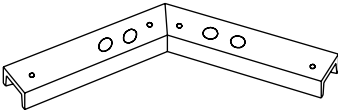
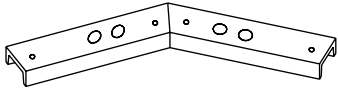
1/2" Endcap



1/8" Endcap



Brackets

BRACKETS		WITH SCREWS	WITHOUT SCREWS
90 DEGREE BRACKET		510274	310354-01
120 DEGREE BRACKET		510540	310354-03
135 DEGREE BRACKET		510440	310354-02