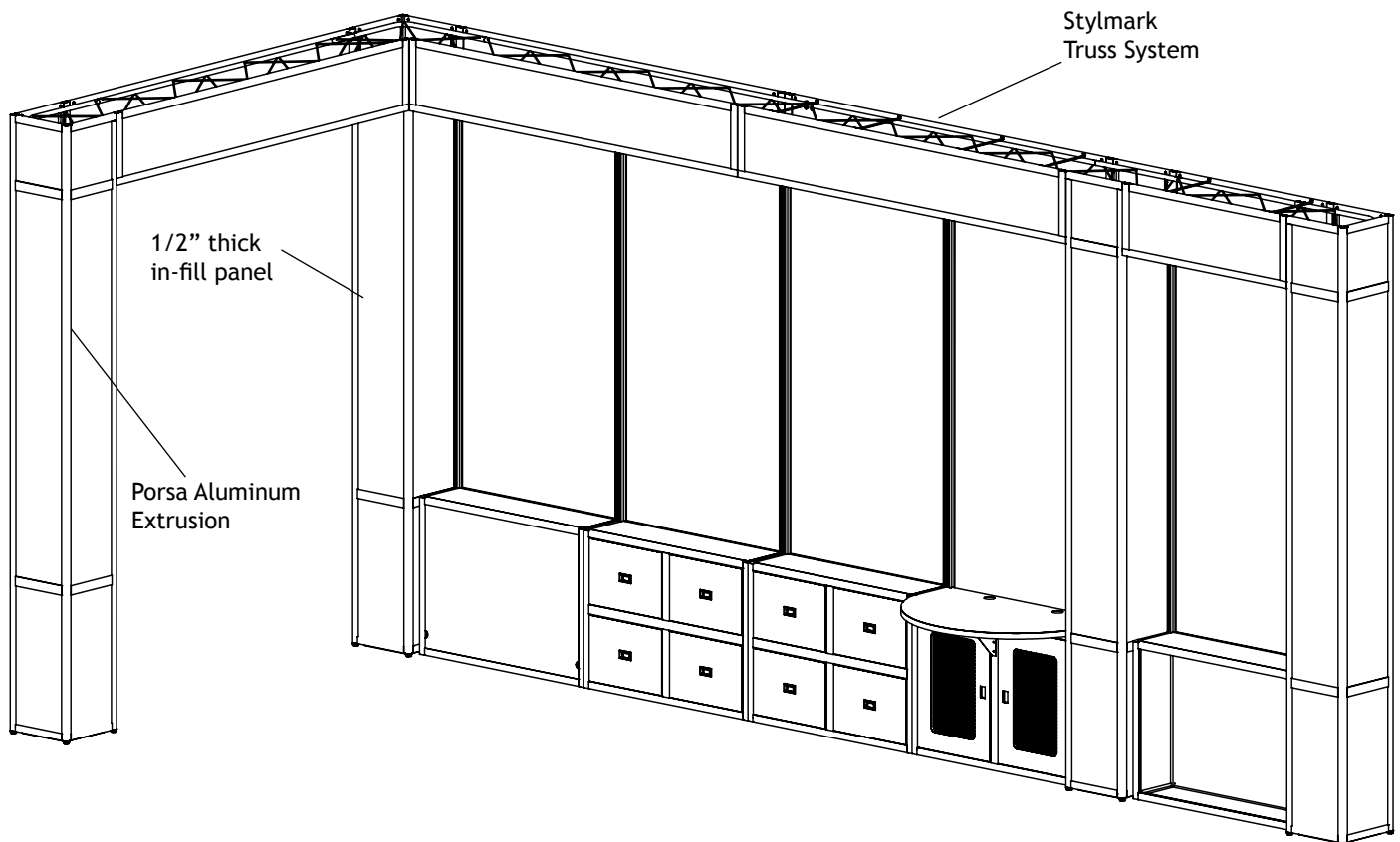


Porsa™ Framing System

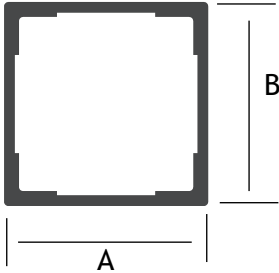
Stylmark is the authorized North American distributor of the Porsa™ Framing System of Denmark. Porsa™ is the only aluminum extrusion system that accepts a 1/2" thick in-fill panel, making it ideal for merchandising systems, wall units and store-with-in-a-store applications. The Porsa™ provides great flexibility - the extrusions and in-fill panels can be reconfigured, changed and moved at a much lower cost than permanent walls or fixtures.



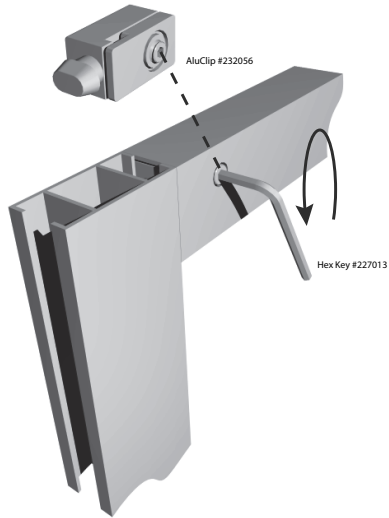
Prototype Framing System

- Notes:**
- Porsa extrusion sizes are nominal.
 - Cover caps are available to cover hex key hole.

Porsa™ Framing System



PART #	A	B	ENDCAP NUMBER
190001	1"	1"	N/A
190003	1"	1"	N/A
190007	2 5/8"	1"	N/A
190014	1"	1"	N/A
190015	1"	1"	241015
190019	1"	1 1/2"	241014
190022	2"	2"	241038
190023	1"	2"	241001
190026	1"	2"	241004



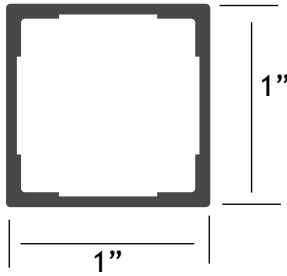
The AluClip connector system joins pieces using a simple HexKey.

Notes: • Porsa extrusion sizes are nominal.

Porsa™ Framing System

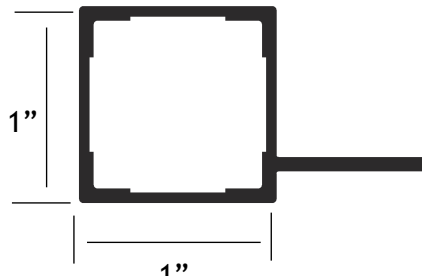
Profiles

Part #190001



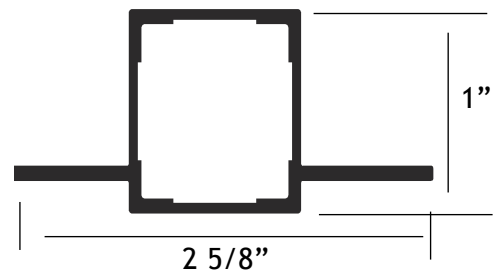
Endcap: N/A

Part #190003



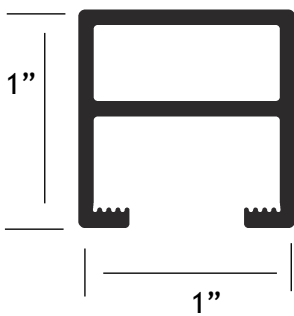
Endcap: N/A

Part #190007



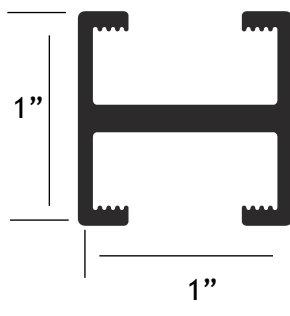
Endcap: N/A

Part #190014



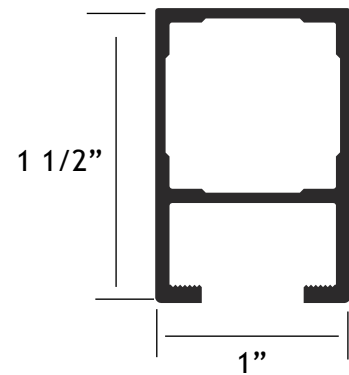
Endcap: N/A

Part #190015



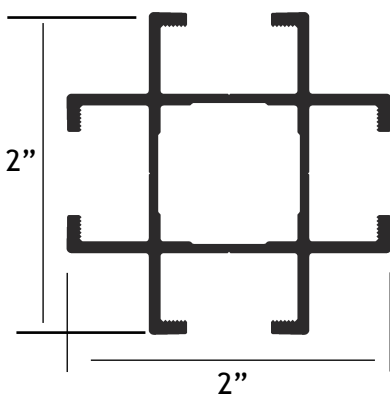
Endcap: 241015

Part #190019



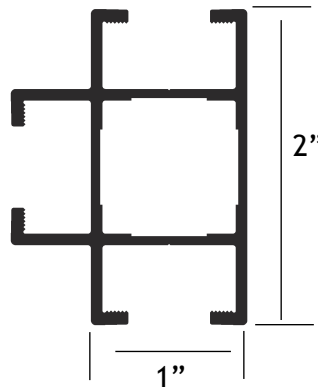
Endcap: 241014

Part #190022



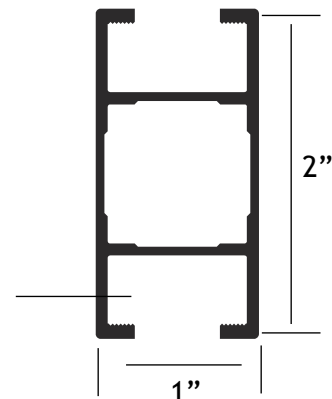
Endcap: 241038

Part #190023



Endcap: 241001

Part #190026



Endcap: 241038

Notes: • Porsa extrusion sizes are nominal.