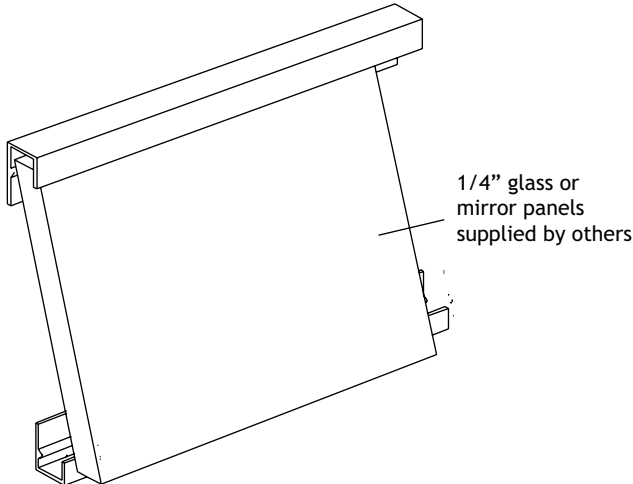
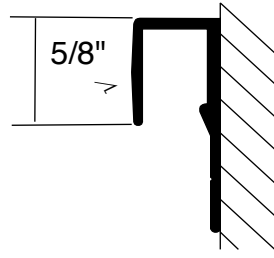


Mirror Trims

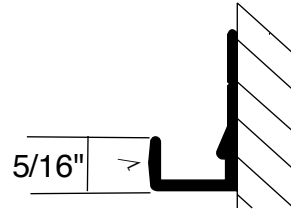
Stylmark's Mirror Trims offer beautiful options for protecting and trimming mirrors and mirrored walls. Our J-Molding may be used at the top and bottom of a floor to ceiling mirror application. When a horizontal or vertical accent is required, use one of our two Division Trims. Mirror Trim products may be ordered in 12 foot stock lengths, or pre-cut to your desired length.



To install, simply position the mirror into the top channel, and then lower it into the bottom channel.

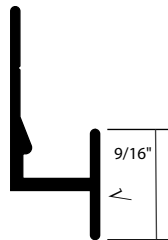


J-Molding
Part #420107: with holes
Part #120055: without holes

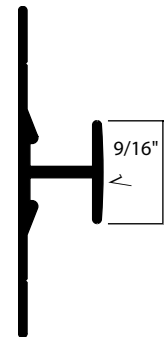


J-Molding
Part #420068: with holes
Part #120041: without holes

Mirror Divider Trim
Part #420108:
 with holes
Part #120057:
 without holes

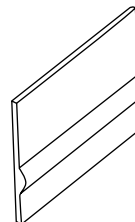


Mirror Divider Trim
Part #420109:
 with holes
Part #120061:
 without holes



Divider trims are supplied slotted with holes for adjustability and rapid installation.

Stylmark's J-Molding and Divider Trims feature a raised ridge to protect the mirror backing.



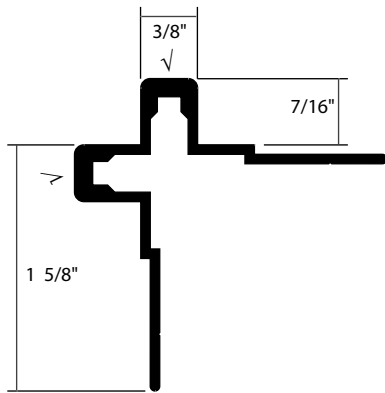
√ = finished surface
 MIRR01

Mirror Trims

Part #420110: Corner Column Trim with slots

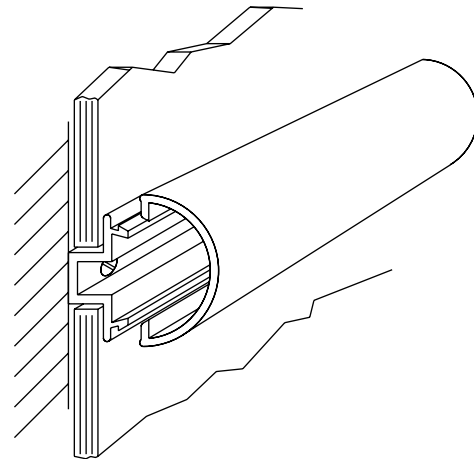
Part #120063: Corner Column Trim without slots

This Mirror Trim features slotting measuring $9/64" \times 39/64"$. Slots are set $1"$ on center, beginning $18"$ from one end and continuing for another $66"$. It accepts Capital B-line (2300 series) and Crown Le-Mans series brackets (by others). This molding will not accept K.V. Bracket 160 or 161.



Part #410466: Recessed Trim Base

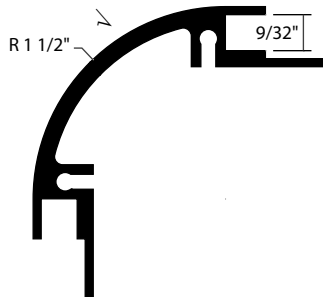
Design a mirrored wall with your favorite Stylmark Trim Maker shapes. By using this recessed trim base, a $1/4"$ mirror fits perfectly between your wall and our trim. See our Architectural Trim and Moldings brochure for choices of trims.



Part #110184

1 1/2" Radius Cover Trim

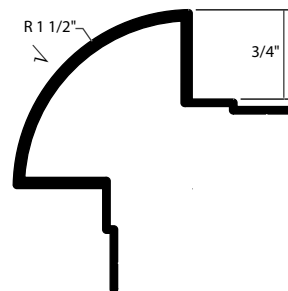
This trim allows you to soften a harsh corner while providing a durable and protective edge.



Part #120064

1 1/2" Radius Column Corner Trim

This Mirror Trim provides a radiused corner with stepped reveal and has been developed especially for $3/4"$ panels.

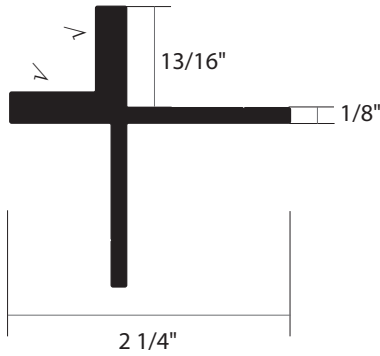


√ = finished surface

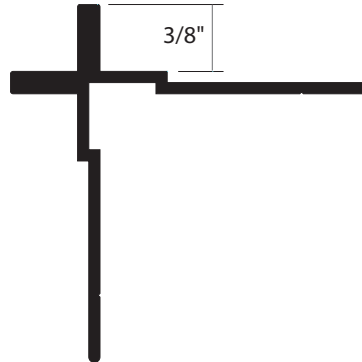
TV01

Mirror Trims

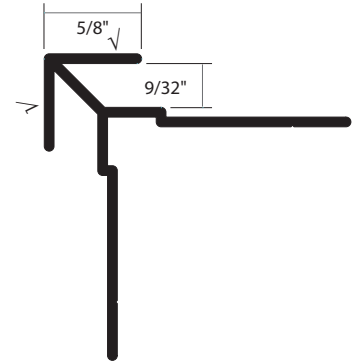
Part #110669
3/4" Column Edge



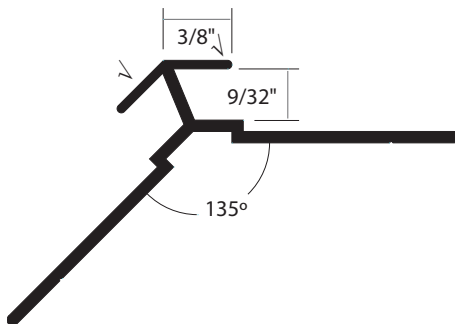
Part #120058
Column Edge Trim



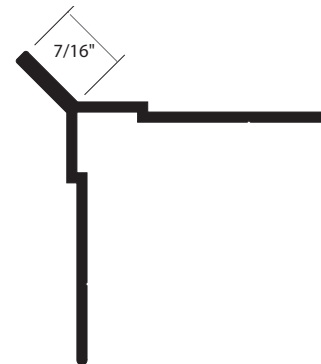
Part #120065
90° Column Trim



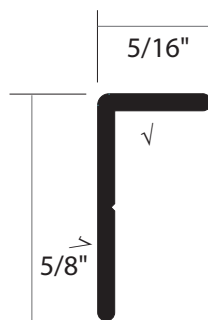
Part #120066
135° Column Trim



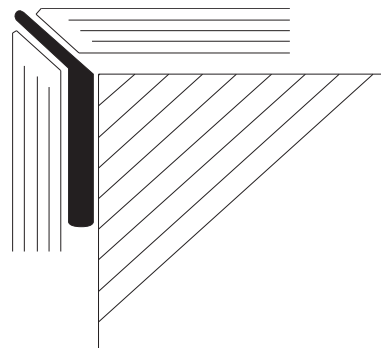
Part #120067
90° Outside Corner Trim



Part #120059
90° Outside Corner Trim



Part #120062
45° Column Trim



√ = finished surface