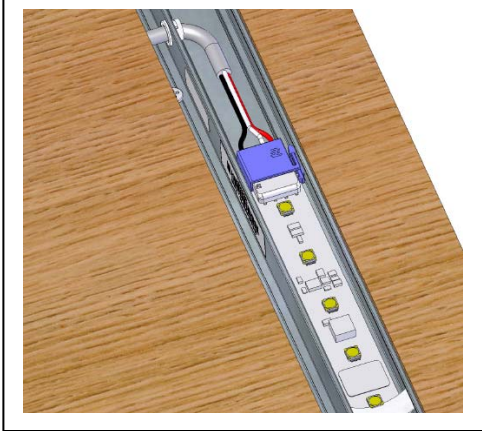




Data Sheet

684808 LED Low Profile Reflector



General Description: The Stylmark Low Profile LED Reflector is an efficient installation option for down lighting. Utilizing the same technology as Stylmark's showcase reflectors, the 684808 can be mounted into a routed channel, a recessed opening or flush under cabinets or shelves.

Applications: Retail display shelves, under-cabinet lighting, internal cabinet lighting

Performance Specifications:

Chromaticity¹:
Nominal CCT Categories

Cool	White	Warm
5000K	4000K	3500K

Illuminance (fc @ 12")²:
Deluxe Light Engine:
Premium Light Engine:

300	260	240
450	370	370

Source³:
Cone Angle:
Lamp Life:

1W, Nichia LED
120°
70% lumen maintenance after 50,000 hours of continuous power on.
Compatible with continuously variable PWM dimmers, 24Vdc, 4A min., 4-wire connection.⁴

Dimmable:

Construction Specifications:

Shell Material:
Shield Material:
Sizes:
Finishes:
Mounting:

Anodized Aluminum
Clear polyester
18" to 96" length
see Stylmark Color Library
Top edge mounting flange for use with screw fasteners

Environmental Specifications:

Protection Rating:
Temperature Range:

For indoor use only – Dry locations
40 to 104°F (4 to 40°C)

Power Specifications⁵:

Input Voltage Requirement:
Power Consumption (typical):
Deluxe Light Engine:
Premium Light Engine:

90-264 Vac, 47-63 Hz
4.8 W per foot
9.2 W per foot

RECOGNIZED COMPONENT



Standard for Safety of Luminaires,
UL 1598

General Requirements for Luminaires,
CSA C22.2 No. 9.0-96

Standard for LED Equipment for Use in Lighting Products,
UL 8750

LVRF48

The aluminum reflector of the LED light fixture is fabricated to match custom dimensions. As the aluminum reflector also includes mounting hardware, the LED light assembly length will be less than the length of the aluminum reflector. Stylmark will configure the LED light assembly length to optimize the available space using Stylmark's LED light engine modules. Please consult Stylmark for information specific to your order.

In order to continually improve our products, Stylmark reserves the right to make changes to specifications or materials without prior notice.

¹Nominal CCT Categories per ANSI_NEMA_ANSI C78.377-2008 Specifications for the Chromaticity of Solid-State Lighting Products
²Measurements taken at midpoint of a 3' fixture, 12" above showcase deck, with Konica Minolta Chroma Meter CL-200.
³Premium Light Engine: 12 LED/ft, Deluxe Light Engine: 6 LED/ft.
⁴Contact Stylmark for recommended dimming controls
⁵LED power supply/driver, provided by Stylmark is required.

Stylmark Submittal Sheet: LED 684808 Low Profile Reflector

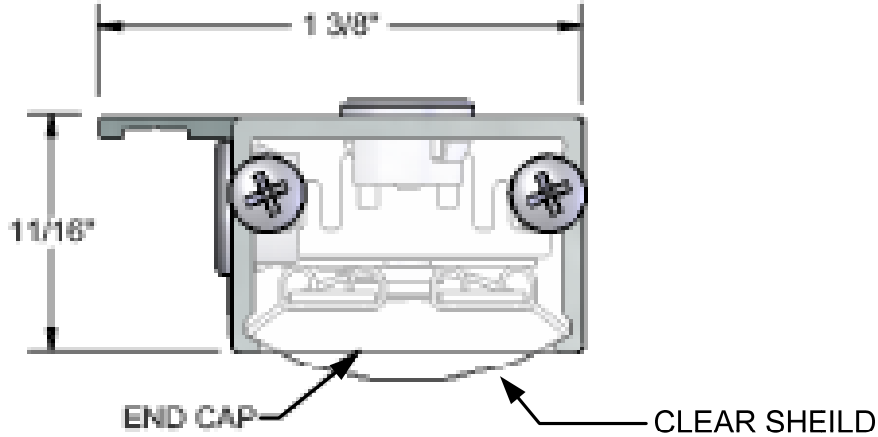
Identification:

684808 – LED Low Profile Reflector

Typical Specification:

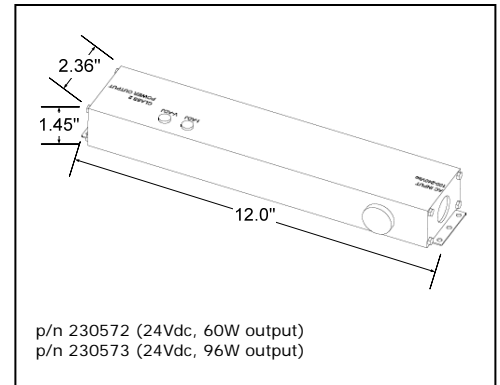
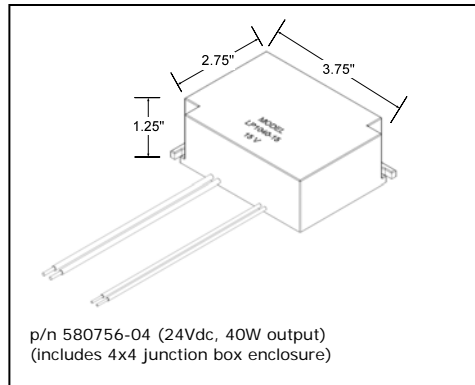
Low Profile Reflector housing shall be constructed of anodized aluminum. Low Profile Reflector light source shall be an array of 1 W Nichia LEDs. Low Profile Reflector shall provide a light cone angle of 120°. Low Profile Reflector shall be available in Coordinated Color Temperature options of 5000K, 4000K or 3500K (per ANSI_NEMA_ANSLG C78.377-2008). Low Profile Reflector manufacturer shall provide all hardware and electrical components, including LED power supply kit, for finished assembly. Low Profile Reflector shall be by Stylmark, Inc.

Product Illustrations and Dimensions



Power Supply Options

Power supply part number depends upon the number of LEDs in circuit. Verify power supply configuration with Stylmark.



Sheet# 971528
Revision D (02/11)