



# Data Sheet

# LED Spotlight



**General Description:** The Stylmark LED Spotlight offers both an elegant design and low voltage LED light source to provide crisp, focused light. Available in a variety of mounting configurations and finishes, the LED Spotlight can be installed to meet your display needs.

**Applications:** Commercial display cases, exhibits, jewelry and cosmetic displays, store fixtures, trophy cases.

**Mounting Options:**

- Integrated Showcase Spotlight (use with Stylmark Aluminum Showcases)
- Stand-Alone Spotlight (optional mounting block available)
- Stem-mount Spotlight
  - One Spotlight on a Stem
  - Two Spotlights on a Stem
  - Three Spotlights on a Stem

**Performance Specifications:**

**Source:** 1W LED  
**Cone Angle:** 6°, 25° or 70° (nominal)

**Color Temperature (typical):**  
**Illuminance:(fc @ 12")**  
6°  
25°  
70°

Cool White	Neutral White	White
5500 <sup>1</sup>	4100	3500
270	625	625
50	120	120
17	30	30

**Lamp Life:** 70% lumen maintenance after 50,000 hours of continuous power on.

**Housing Specifications:**

**Materials:** Anodized Aluminum  
**Construction:** 30° articulating head  
**Finishes<sup>2</sup>:** Natural (020)  
See Stylmark's finish library  
100°F (38°C) maximum

**Surface Temperature<sup>3</sup>:**

**Environmental Specifications:**

**Protection Rating:** For indoor use only – Dry locations  
**Temperature Range:** 40 to 104°F (4 to 40°C)

**Power Specifications<sup>4</sup>:**

**Voltage Requirement:** 120 VAC, 60 Hz or 240 VAC, 50 Hz  
**Power Consumption:** 1.2 W per LED

**LED Driver Circuit Sizing<sup>5</sup>:** see list below

- |  |  |
|--|--|
| <b>120 VAC, 60 Hz Input</b>                | <b>240 VAC, 50 Hz Input</b>                |
| <input type="checkbox"/> p/n 230326 – 12 W | <input type="checkbox"/> p/n 230377 – 12 W |
| <input type="checkbox"/> p/n 230327 – 17 W | <input type="checkbox"/> p/n 230378 – 17 W |
| <input type="checkbox"/> p/n 230328 – 25 W | <input type="checkbox"/> p/n 230379 – 25 W |
| <input type="checkbox"/> p/n 230364 – 40 W | <input type="checkbox"/> p/n 230380 – 40 W |

LVSPT

<sup>1</sup> Filtered

<sup>2</sup> Spotlight not available in buffed or brushed finishes

<sup>3</sup> Measured at ambient temperature of 72°F (22°C)

<sup>4</sup> LED power supply with remote driver, provided by Stylmark, is required

<sup>5</sup> Part number of LED driver supplied depends upon the number of LEDs in circuit. Verify driver configuration with Stylmark.

In order to continually improve our products, Stylmark reserves the right to make changes to specifications or materials without prior notice.

# Stylmark Submittal Sheet: LED Spotlight

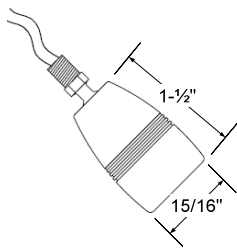
## Identification:

- 680031** – Showcase Integrated Spotlight (includes 380524)
- 680032** – Stand Alone Spotlight
- 680938** – Stem Mounted Spotlight(s)
- 380536** – Stand Alone Mounting Block
- 380524** – Showcase Integrated Mounting Block

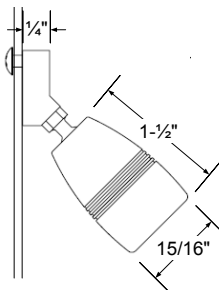
## Typical Specification:

LED Spotlight shall be constructed of anodized aluminum. Spotlight shall be capable of being mounted using either showcase glazing, stem mounting or stand alone mounting block. Spotlight light source shall be a single 1 W LED. Spotlight shall provide a light cone angle of 6°, 25° or 70°. Spotlight shall provide a Coordinated Color Temperature of 5500K, 4100K or 3500K ± 300K. Spotlight housing surface temperature shall not exceed 100°F (38°C). LED Spotlight manufacturer shall provide all hardware and electrical components, including LED power supply kit, for finished assembly. Spotlight shall be by Stylmark, Inc.

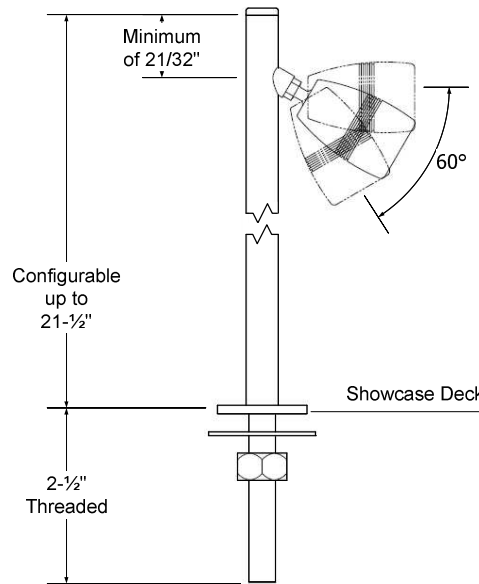
## Product Illustrations and Dimensions



# 680032 Standalone Spotlight

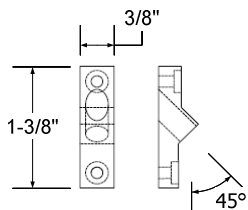
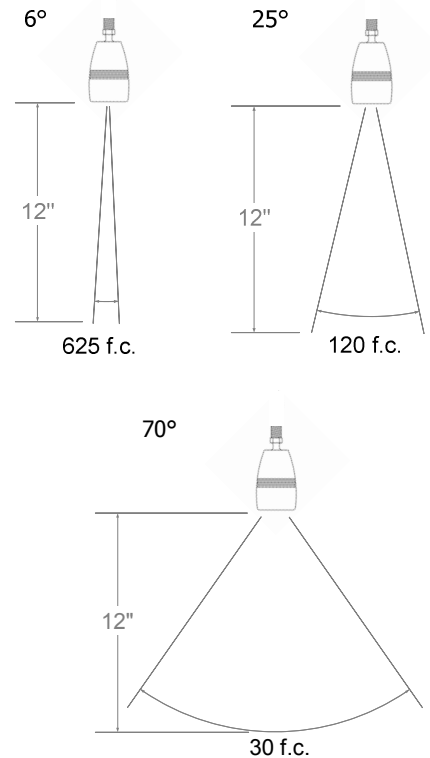


# 680031 Showcase Integrated Spotlight includes mounting block and glazing strip

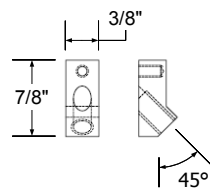


# 680938 Stem Mounted Spotlight

### Light beam illustrations 4100K values shown



Optional Mounting Block  
Part # 380536



Optional Mounting Block  
Part # 380524