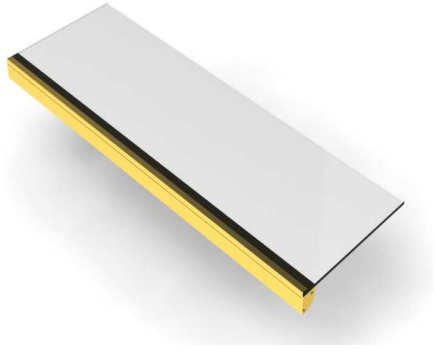




# 680708 LED Shelf Edge Light

## Data Sheet



RECOGNIZED COMPONENT



Standard for Low Voltage Lighting Systems,  
UL 2108

General Requirements for Luminaires,  
CSA C22.2 No. 9.0-96

Standard for LED Equipment for Use in Lighting Products,  
UL 8750

RoHS Compliant

LVRF07

The aluminum housing of the LED light fixture is fabricated to match custom dimensions. As the aluminum housing also includes mounting hardware, the LED light assembly length will be less than the length of the aluminum housing. Stylmark will configure the LED light assembly length to optimize the available space using Stylmark's LED light engine modules. Please consult Stylmark for information specific to your order.

In order to continually improve our products, Stylmark reserves the right to make changes to specifications or materials without prior notice.

**General Description:** The Stylmark 680708 LED Shelf Edge Light with Modular light engines is designed to illuminate shelving & displays by attaching to glass or wood shelving. Available in a variety of colors and finishes, the 680708 can be mounted directly to the underside of wood shelves or, using the F-channel adapters, mount to 1/4" or 3/8" glass shelves. Stylmark provides all hardware and electrical components for a finished assembly. The 680708 is suitable for cabinet mounted applications, in addition to under-cabinet or shelf-mounted applications.

**Performance Specifications:**

**Chromaticity<sup>1</sup>:**  
**Nominal CCT Categories**

Cool	White	Warm
5000K	4000K	3500K

**Illuminance (fc @ 12")<sup>2</sup>:**  
**Narrow Stick Light Engine**  
**Deluxe Light Engine:**  
**Premium Light Engine:**

n/a	120	105
250	180	175
385	330	315

**Source<sup>3</sup>:**

- 1W, Nichia LED (Stylmark MIG24)
- Citizen LED (Sylvania Narrow Stick)
- 90°
- 70% lumen maintenance after 50,000 hours of continuous power on.
- MIG24 Light Engines compatible with continuously variable PWM dimmers, 24Vdc, 4A min., 4-wire connection.<sup>4</sup>

**Fixture Light Angle:**  
**Lamp Life:**

**Dimmable:**

**Construction Specifications:**

**Materials:**  
**Sizes:**  
**Finishes:**  
**Surface Temperature<sup>5</sup>:**  
**Mounting Options:**

Anodized Aluminum  
Configurable (10" to 60" lengths)  
see Stylmark Color Library  
105°F (40°C) max.

- F-channel for 1/4" glass
- F-channel for 3/8" glass
- Under shelf mount

**Environmental Specifications:**

**Protection Rating:**  
**Temperature Range:**

For indoor use only – Dry locations  
40 to 104°F (4 to 40°C)

**Power Specifications<sup>6</sup>:**

**Input Voltage Requirement:**  
**Power Consumption (typical):**  
**Narrow Stick Light Engine:**  
**MIG24 Deluxe Light Engine:**  
**MIG24 Premium Light Engine:**

90~264Vac, 47~63 Hz  
5.0 W per foot  
4.6 W per foot  
9.0 W per foot

<sup>1</sup>Nominal CCT Categories per ANSI C78.377 Specifications for the Chromaticity of Solid-State Lighting Products  
<sup>2</sup>Measurements taken at midpoint of a 3' fixture, 12" above showcase deck, with Konica Minolta Chroma Meter CL-200.  
<sup>3</sup>Premium Light Engine: 12 LED/ft, Deluxe Light Engine: 6 LED/ft, Sylvania HF2 Narrow Stick Light Engine: 66 LED/ft  
<sup>4</sup>Contact Stylmark for recommended dimming controls  
<sup>5</sup>Measured at ambient temperature of 72°F (22°C)  
<sup>6</sup>LED power supply/driver, provided by Stylmark, is required

# Stylmark Data Sheet: 680708 LED Shelf Edge Light

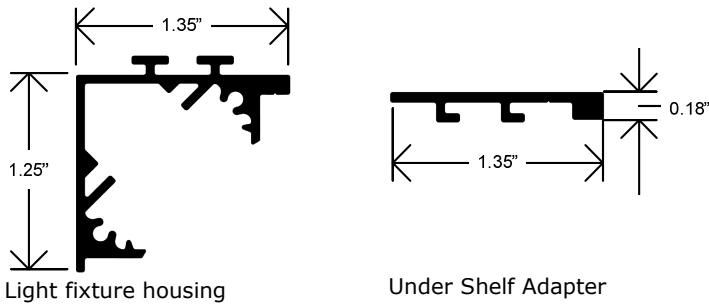
## Identification:

**680708-01** – LED Shelf Edge Light with Stylmark MIG24 LED light engine  
**680708-02** – LED Shelf Edge Light with Sylvania HF2 Narrow Stick LED light engine

## Typical Specification:

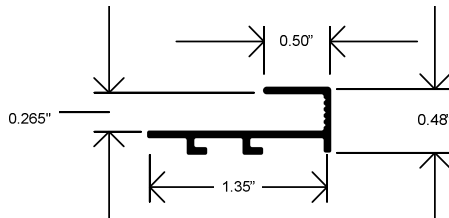
Light fixture housing shall be constructed of anodized aluminum. Light fixture shall have options for mounting to front edge of shelves or for mounting to underside of shelves. Light fixture shall provide a light cone angle of 90°. Light fixture shall be available in nominal CCT Categories options of 5000K, 4000K or 3500K (per ANSI C78.377). Light fixture housing surface temperature shall not exceed 105°F (40°C). Light fixture manufacturer shall provide all hardware and electrical components, including LED power supply kit, for finished assembly. Light fixture shall be by Stylmark, Inc.

## Product Illustrations and Dimensions

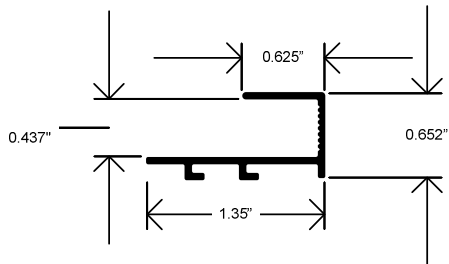


Light fixture housing

Under Shelf Adapter

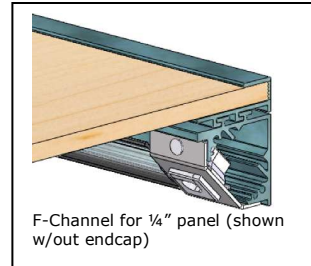


1/4" F-Channel Adapter

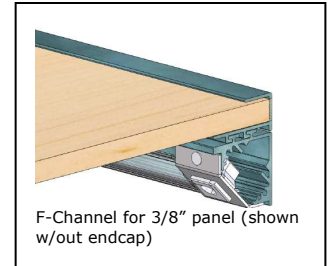


3/8" F-Channel Adapter

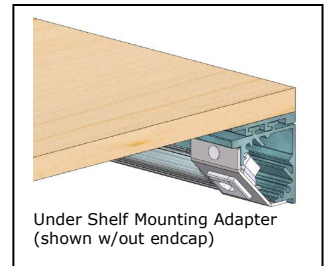
## Mounting Options



F-Channel for 1/4" panel (shown w/out endcap)



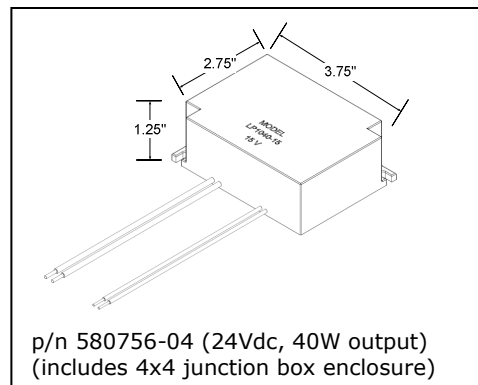
F-Channel for 3/8" panel (shown w/out endcap)



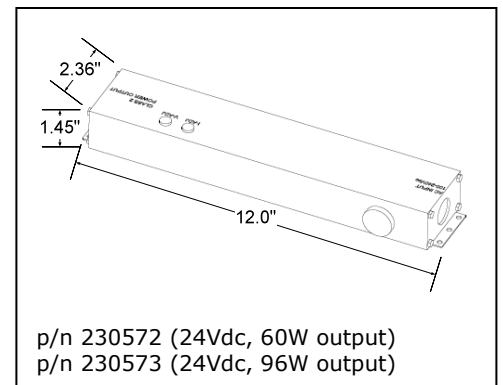
Under Shelf Mounting Adapter (shown w/out endcap)

## Power Supply Options

Part number of power supply supplied depends upon the number of LEDs in circuit. Verify power supply configuration with Stylmark.



p/n 580756-04 (24Vdc, 40W output)  
(includes 4x4 junction box enclosure)



p/n 230572 (24Vdc, 60W output)  
p/n 230573 (24Vdc, 96W output)

Sheet# 971617  
Revision A (02/10)