



# Data Sheet

## 683808, 686808 LED Plug In Light Shelf



**General Description:** The Stylmark LED Plug In Light Shelf is designed for retail shelving using wall standards. The 683808 and 686808 provides an alternative to conventional shelf lighting with the convenience of plug-in power. The slim profile maximizes the merchandise's viewable area. Stylmark provides all hardware and electrical components for a finished assembly.

**Applications:** Retail shelving units, wall displays, cabinet lighting

**Performance Specifications:**

**Chromaticity<sup>1</sup>:**  
**Nominal CCT Categories**

Cool	White	Warm
5000K	4000K	3500K

**Illuminance (fc @ 12")<sup>2</sup>:**  
**Deluxe Light Engine:**

300	260	240
-----	-----	-----

**Source<sup>3</sup>:**  
**Light Angle:**  
**Lamp Life:**

1W, Nichia LED  
120°  
70% lumen maintenance after 50,000 hours of continuous power on.

**Construction Specifications:**

**Reflector Options:**

- 1" Round
- 1" Square

**Reflector Material:**  
**Shelf Material:**  
**Sizes:**

Anodized Aluminum  
Steel blade bracket sized for 1/4" thick glass<sup>4</sup>

**Shelf:**

Configurable in 24" to 48" widths  
Configurable in 10" to 16" depths  
Configurable in 18" to 96" heights  
35 lbs. per shelf

**Standards<sup>5</sup>:**  
**Maximum Shelf Load:**

**Aluminum Finishes:**  
**Steel Finishes:**  
**Surface Temperature<sup>6</sup>:**  
**Mounting<sup>4</sup>:**

Stylmark anodized or powder-coat finishes  
Stylmark powder-coat finishes  
120°F (49°C) maximum  
Use Stylmark 480979 or similar standard with 1/8" x 1" slots at 2" spacing

**Environmental Specifications:**

**Protection Rating:**  
**Temperature Range:**

For indoor use only – Dry locations  
40 to 104°F (4 to 40°C)

**Power Specifications:**

**Connection Type:**  
**Input Voltage Requirement:**  
**Power Consumption:**

3-prong (125V, NEMA 5-15)  
100-125 VAC, 47~63 Hz  
4.8 W per foot



Standard for Safety Household and Commercial Furnishings, UL 962, 2nd Ed., 08/16/06

General Requirements for Luminaires, CSA C22.2 No. 9.0

Portable Luminaires, CSA C22.2 No 12

Standard for LED Equipment for Use in Lighting Products, UL 8750

Patent Pending

LVSHF-SPI

The aluminum reflector of the LED light fixture is fabricated to match custom dimensions. As the aluminum reflector also includes mounting hardware, the LED light assembly length will be less than the length of the aluminum reflector. Stylmark will configure the LED light assembly length to optimize the available space using Stylmark's LED light engine modules. Please consult Stylmark for information specific to your order.

In order to continually improve our products, Stylmark reserves the right to make changes to specifications or materials without prior notice.

<sup>1</sup>Nominal CCT Categories per ANSL\_NEMA\_ANSLG C78.377-2008 Specifications for the Chromaticity of Solid-State Lighting Products

<sup>2</sup>Measurements taken at midpoint of a 3' fixture, 12" above shelving deck, with Konica Minolta Chroma Meter CL-200.

<sup>3</sup>Deluxe Light Engine: 6 LED/ft

<sup>4</sup>Glass supplied by others

<sup>5</sup>Standards can be finished in natural aluminum or powder coat

<sup>6</sup>Measured at ambient temperature of 72°F (22°C)

<sup>7</sup>LED power supply kit, provided by Stylmark, is required

# Stylmark Data Sheet: 683808/686808 LED Plug In Light Shelf

## Identification:

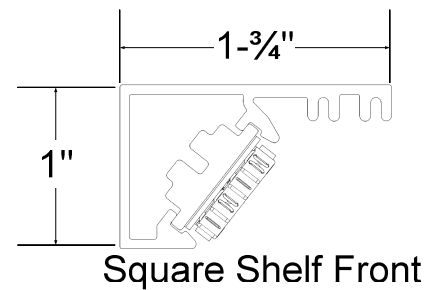
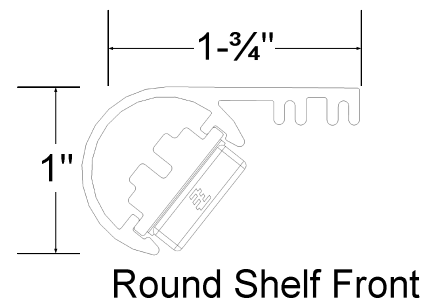
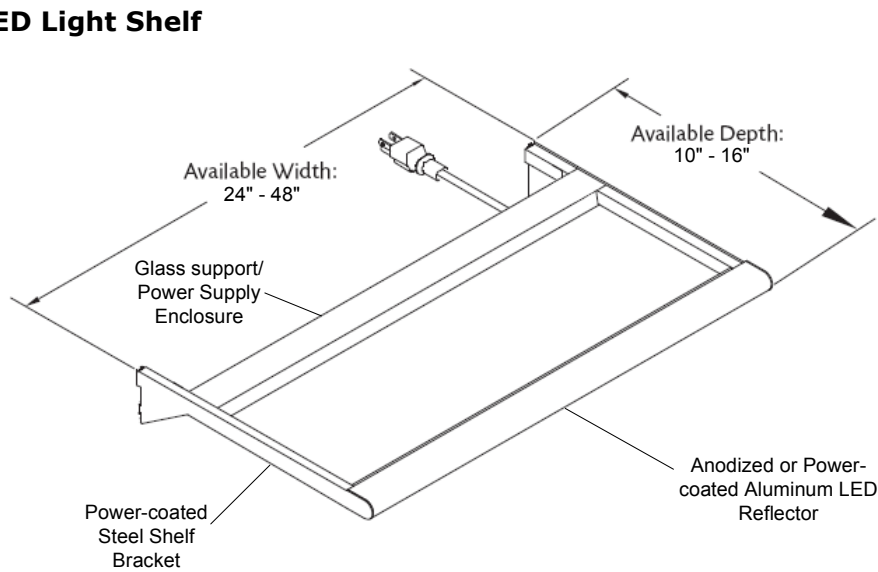
**683808** - LED Plug In Light Shelf, 1" Round  
**686808** - LED Plug In Light Shelf, 1" Square  
**480979** - Non Powered Standard

## Typical Specification:

Light Shelf shall be powered from low-voltage powered standards. Light Shelf reflector shall be constructed of anodized aluminum. Light Shelf bracket shall be constructed of steel with a maximum shelf load of 35 lbs. Light Shelf light source shall be an array of 1 W Nichia LEDs. Light Shelf shall provide a light cone angle of 140°. Light Shelf shall be available in Coordinated Color Temperature options of 5000K, 4000K or 3500K (per ANSI\_NEMA\_ANSLG C78.377-2008). Light Shelf reflector housing surface temperature shall not exceed 105°F (40°C). Light Shelf Reflector manufacturer shall provide all hardware and electrical components, including LED power supply kit, for finished assembly. Light Shelf shall be by Stylmark, Inc.

## Product Illustrations and Dimensions

### LED Light Shelf



\*Glass provided by others

### Shelving Standards (Stylmark Standard p/n 480979 shown)

