



Data Sheet

580794 4 Watt LED Downlight



General Description: The Stylmark LED Downlight is designed for commercial displays that require a long life, low heat alternative to halogen down lights. Available in common coordinated color temperatures and finishes, the 230544 can be mounted in a variety of display applications including shelving, vitrine displays and showcases. Stylmark provides all hardware and electrical components for a finished assembly.

Performance Specifications:

Color Temperature (typical)¹:

| White | Warm White |
|-------|------------|
| 4100K | 3500K |

Illuminance (fc @ 12")²:

| | |
|----|----|
| 72 | 65 |
|----|----|

Source:
Light Angle:
Lamp Life:

Three High Power LED
120°
70% lumen maintenance after 50,000 hours of continuous power on.

Construction Specifications:

Materials:

Anodized aluminum housing
Stainless steel trim ring
Diffusing bezel to reduce point source
18" low voltage wire leads
3.15" diameter Trim Ring
Polished Gold or Polished Chrome
125°F (52°C) max. (cover ring)

Electrical Connection:
Size:
Finishes:
Surface Temperature³:

Mounting:

Recessed mount with spring clips

Environmental Specifications:

Protection Rating:
Temperature Range:

IP67⁴
40 to 104°F (4 to 40°C)

Power Specifications⁵:

Voltage Requirement:
Power Consumption (typical):
Power Supply Loading:

90~264Vac, 47~63 Hz
4 W
up to 7 LED Downlights per 40W power supply



ETL Control Number 3121071

Conforms to UL Standard for Safety for Luminaires, UL 1598

Conforms to Luminaires, CSA C22.2 No. 250.0-08

LVDOWN

¹ CCT tolerance +/- 300K at ambient temperature of 72°F (22°C)
² Measurements taken with fixture center 12" above showcase deck, with Konica Minolta Chroma Meter CL-200.
³ Measured at ambient temperature of 72°F (22°C)
⁴ Ingress Protection Rating, dust tight, water tight
⁵ LED power supply/driver, provided by Stylmark, is required

In order to continually improve our products, Stylmark reserves the right to make changes to specifications or materials without prior notice.

Stylmark Data Sheet: 580794 LED Downlight System

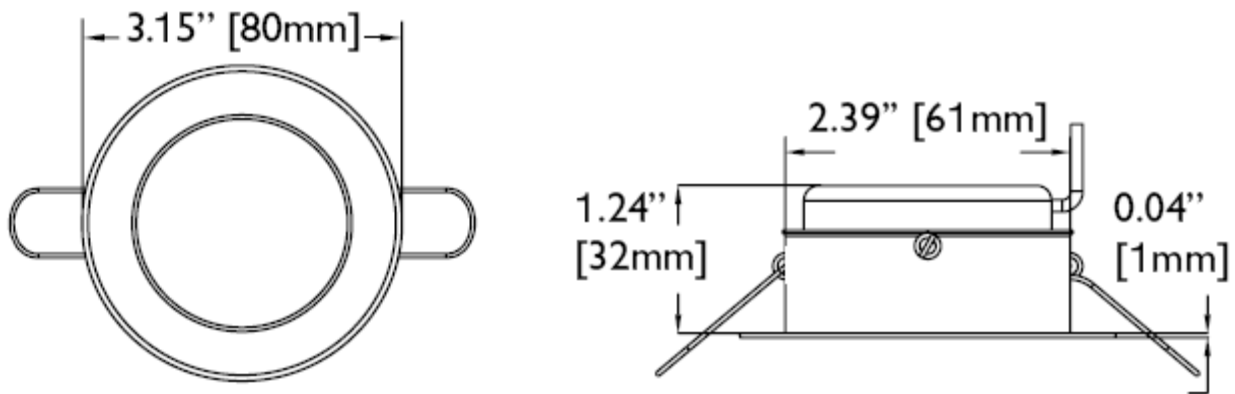
Identification:

- 230544-02-01** – Polished Gold Cover Ring, 3500K LED Downlight
- 230544-03-01** – Polished Gold Cover Ring, 4100K LED Downlight
- 230544-02-02** – Polished Chrome Cover Ring, 3500K LED Downlight
- 230544-03-02** – Polished Chrome Cover Ring, 4100K LED Downlight
- 580756-02** – 40W Power Supply Kit

Typical Specification:

LED Downlight housing shall be constructed of power-coated stainless steel and anodized aluminum heat sink and shall be capable of being recess-mounted using spring clips into up ½ inch thick materials. LED Downlight source shall be an array of 1 W Nichia LEDs. LED Downlight shall provide a light cone angle of 120°. LED Downlight shall be available in Coordinated Color Temperature options of 4100K or 3500K ± 300K. LED Downlight housing surface temperature shall not exceed 125°F (52°C). LED Downlight manufacturer shall provide all hardware and electrical components, including LED power supply kit, for finished assembly.

Product Illustrations and Dimensions



Power Supply Options

Power supply selection depends upon the total load of the LED circuit. Verify power supply configuration with Stylmark.

