



Installation Instructions

Luminaire Ultra Backlit Display 6 5/8" Model

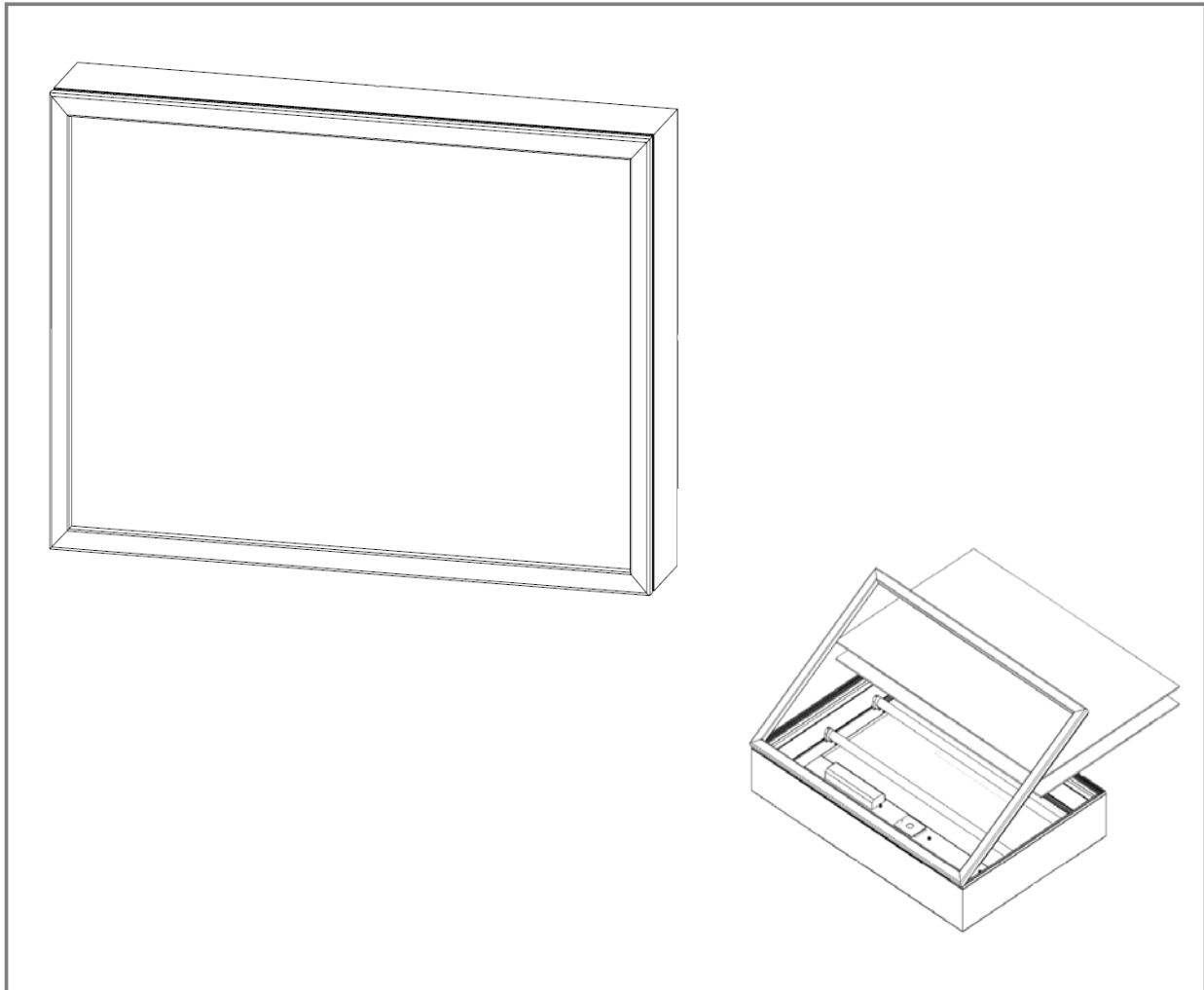


Figure 1

INSTALLATION INSTRUCTIONS

Before you begin

These instructions illustrate the Stylmark® Luminaire Ultra 6 5/8" Backlit Display. If you have questions during assembly, call 800-328-2495 to request technical assistance.

Tools you'll need

- Screwdriver
- 1/8" or 1/4" Drill (varies by application)

Please read these instructions carefully before beginning installation.

Part Number# 971664
Rev A (3/11)

Stylmark Installation Instructions: Luminaire Ultra Backlit Display – 6 5/8"

Getting Started:

These instructions are for the Luminaire Ultra 6 5/8" Backlit Light Box. Follow the instructions for the assembly ordered. Foam encased lamps and mounting hardware will be found within the unit.

Please review all electrical requirements on the label before connecting. Do not use improper current.

If the unit is hard-wired, a qualified electrician should perform electrical connection.

This sign is intended to be installed in accordance with the requirements of Article 600 of the National Electrical Code and/or other applicable local codes. This includes proper grounding and bonding of the sign.

Step-by-Step Instructions – Lamp Installation:

1. To open unit, place screwdriver blade in the top slot and gently twist or grip the middle of the frame section and simply pull to snap open the frame. **See Figure 2.**
2. Remove the acrylic sheets and peel off protective adhesive paper or film.
3. Unwrap the lamps and install into lamp sockets by inserting the prongs into the sockets and turning until they lock into position. **See Figure 3.**

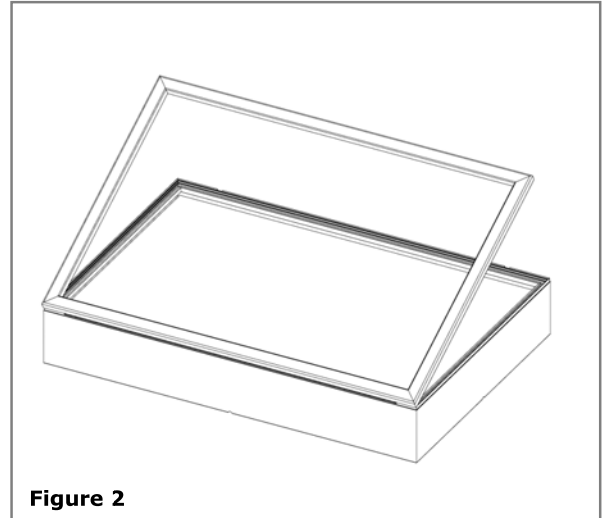


Figure 2

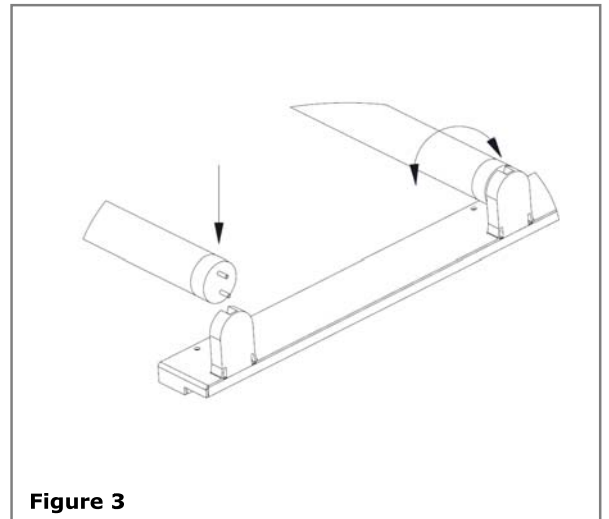


Figure 3

Stylmark Installation Instructions: Luminaire Ultra Backlit Display – 6 5/8"

Step-by-Step Instructions – Wall Mounting:

1. Hold the unit against the wall in the desired location and mark the position of the top center of the unit. Next measure the distance from the top of the unit to the top of the hanger on the back of the unit. **See Figure 4.**
2. Take this distance and subtract 3/8". This new distance will determine the position of the wall hanger holes below the mark just made on the wall. (Note: hangers are not centered on large units. If you have a large unit you must mark your positions on top of the unit directly above each hanger.)
3. Install the wall hangers. If the surface is wood, use a 1/8" drill. If the surface is gypsum (plaster) board, use a 1/4" drill and insert the plastic anchors provided. Position the "J" hangers and insert the screws. Position the box hanger on the back of the display unit over the wall hanger. Exert a slight downward pressure to test for proper mounting strength. **See Figure 5.**

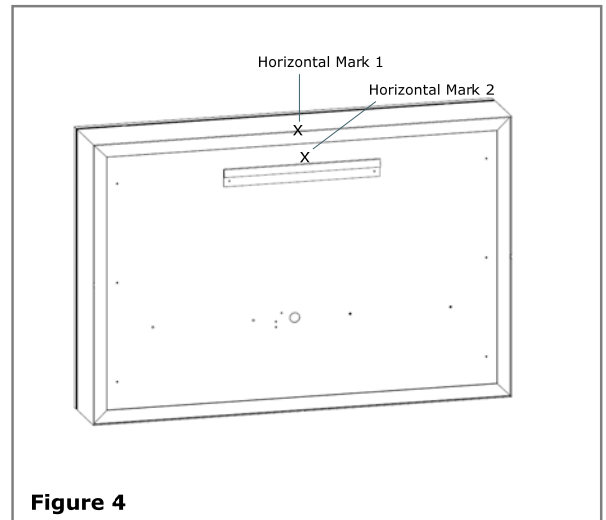


Figure 4

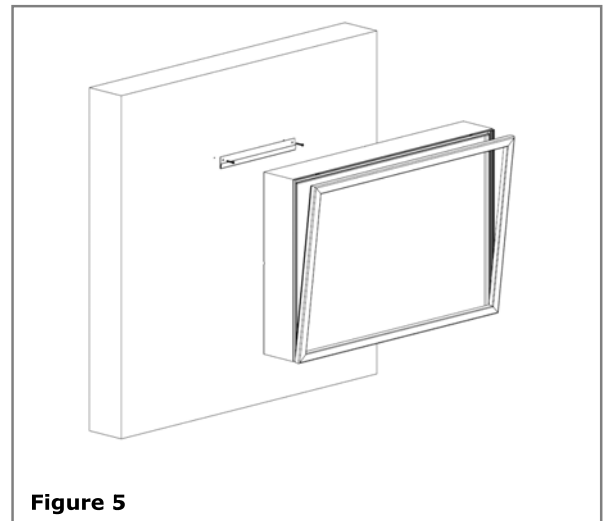


Figure 5

Step-by-Step Instructions – Pedestal Mount

1. Attach the pedestal feet to the posts using the socket-head screws (two per foot). **See Figure 6.**

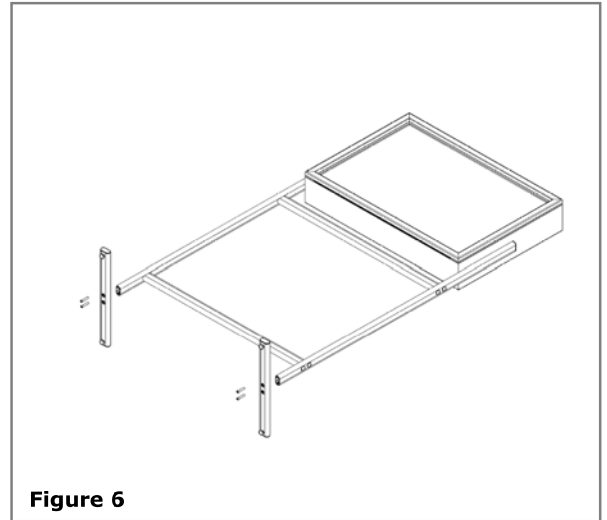


Figure 6

Step-by-Step Instructions – Tabletop / Counter & Suspended Mounting Options

Note: These options should be requested at time of order.

1. **Tabletop / Counter Option** – Optional aluminum feet must be ordered for this application. Please contact Stylmark at 1-800-328-2485 for more information about this option. **See Figure 7.**
2. **Suspended Option** – Hanging loops are attached to the unit when constructed. Attach appropriate hanging hardware (chain, cables, etc.) to suspend unit. Cord may be tied to chain or cables with tie-wraps. **See Figure 8.**

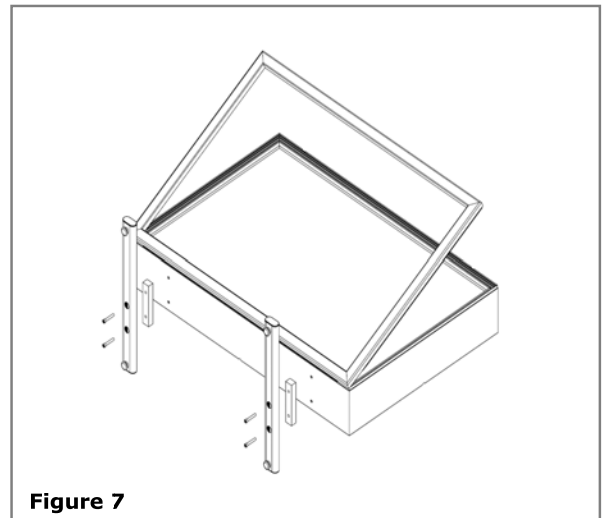


Figure 7

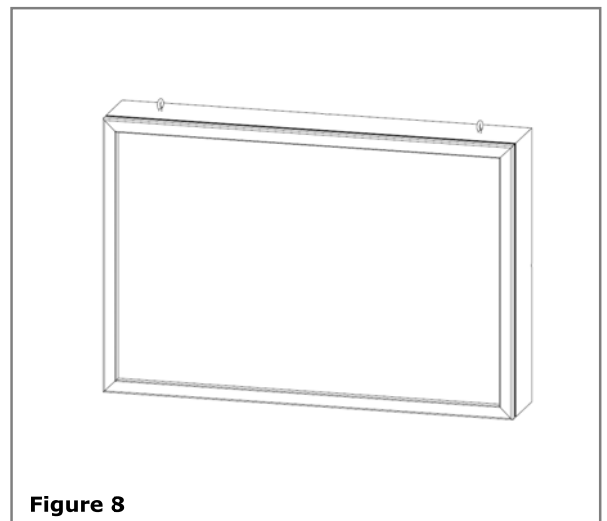


Figure 8

Part Number# 971664
Rev A (3/11)

Stylmark Installation Instructions: Luminaire Ultra Backlit Display – 6 5/8"

Step-by-Step Instructions – Transparency Installation:

1. Place the transparency between the two acrylic sheets provided. **See Figure 9.**
2. The acrylic sheets and transparency may now be reinstalled in the illuminator. Close the hinged section after installation.

Step-by-Step Instructions – For Lamp and Transparency Changes:

Transparency Changes:

1. Open the hinged section per instructions under "Lamp Installation". Remove acrylic panels and transparency and insert new transparency between panels. Place panels and transparency back into frame and close hinged section.

Transparency Use:

1. If the transparency appears wrinkled or wavy, it maybe oversized, it should be removed & trimmed slightly.
2. If moisture or static electricity spots are visible, insert a small amount of talcum or foot powder on the transparency where these spots appear.
3. If you intend to use the same transparency for an extended period and/or near a window, a Cibachrome® or process-printed transparencies is recommended.

Lamp Replacement:

1. Open the unit as per instructions under "Lamp Installation". Remove old lamp and install new lamp in place. Secure the frame section by moving it into position and tapping at upper corners with the heel of the hand until it snaps into place.
2. Replace lamp with identical lamps only. In most models, lamps contain a color-correct phosphor. These lamps are not normally available at retail outlets, such as hardware stores. They may be ordered from a commercial supplier or from Stylmark directly at 800-328-2495.

