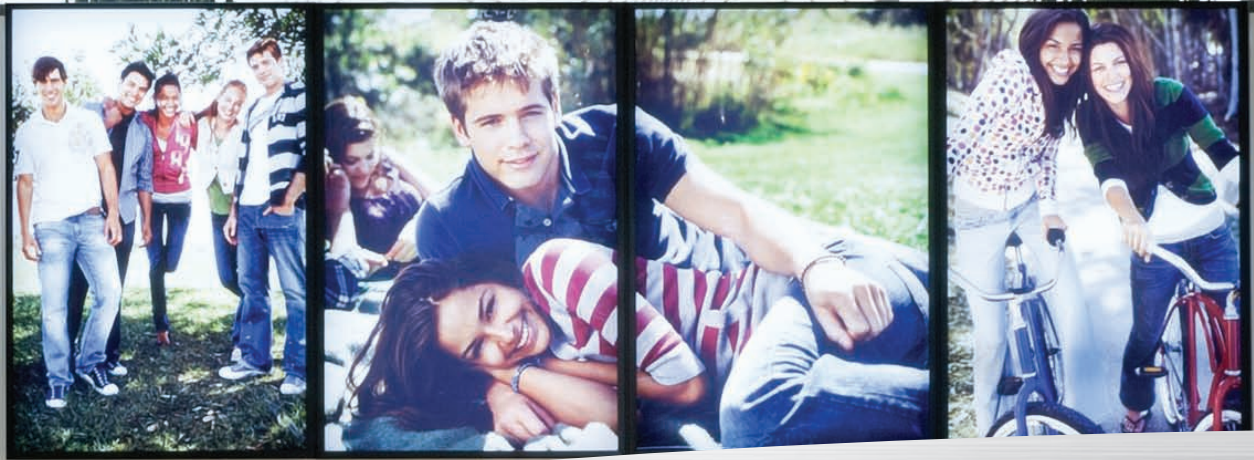




*BACKLIT DISPLAYS AND TRANSPARENCY FRAMES*





# Backlit Displays & Transparency Frames

## Backlit Displays

Stylmark has added lighted signage products & graphic displays to their capabilities with the acquisition of Clearr Corporation, an established world leader in the field of high-impact graphic display products. Stylmark's graphic solutions product line includes a broad offering of backlit displays and lightboxes, poster frames, edgelit displays, and frameless fabric displays.

## Transparency Frames

Stylmark aluminum and steel transparency frames hold graphics between two glazing panels and can be backlit to dramatically highlight your product or message. Seam-free hinged frames swing open to make changing images easy, and a push-release latch or lock holds the frame closed.

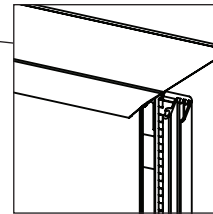
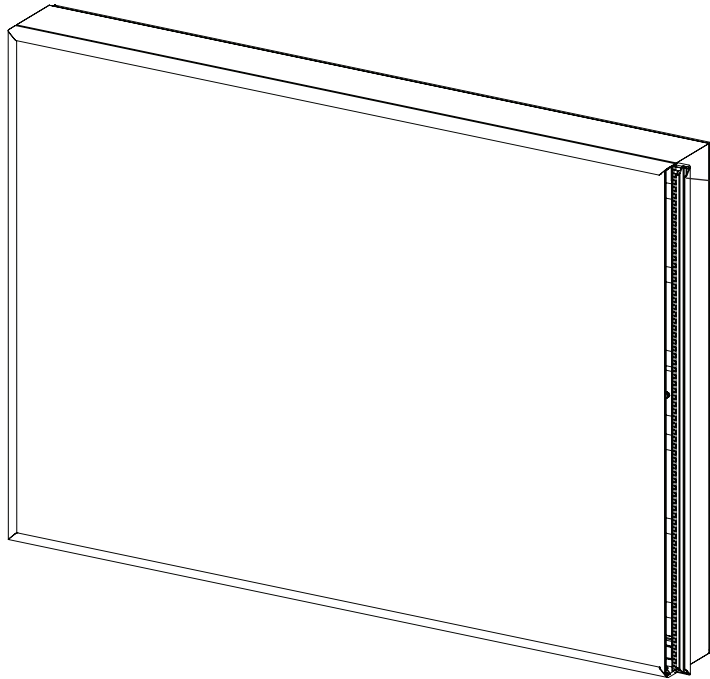
Backlit Displays & Lightboxes	1
LED Lightboxes	7
Frameless Fabric Displays	8
Graphic Frames	9
Standard Hinged Door	11
Heavy Duty Hinged Door	12
Transparency Frames	14
Stationary Frames	18
Face Frames	19
Hardware and Accessories	20

---

# Backlit Displays and Light Boxes

## Luminaire Ultra<sup>®</sup>

5 1/4" (133mm) Single-Sided Unit



Flip open sides for easy service and graphic access

### Luminaire Ultra<sup>®</sup> - 5 1/4" (133mm)

**Outside Dimensions**

- Add 1/2" (13mm) to nominal size in each dimension

**Visual Area**

- Subtract 3/4" (19mm) from nominal size in each dimension

**Graphic Size**

- Same as nominal size

**Face**

- One sheet 1/8" (3mm) translucent acrylic
- One sheet 1/8" (3mm) clear acrylic

**Options**

- Pedestal with base

Luminaire Ultra <sup>®</sup> 5 1/4"	
*graphic sizes	
Inches	Millimeters
16" x 20"	406 x 508
20" x 24"	508 x 610
24" x 24"	610 x 610
24" x 30"	610 x 762
24" x 36"	610 x 914
30" x 40"	762 x 1016

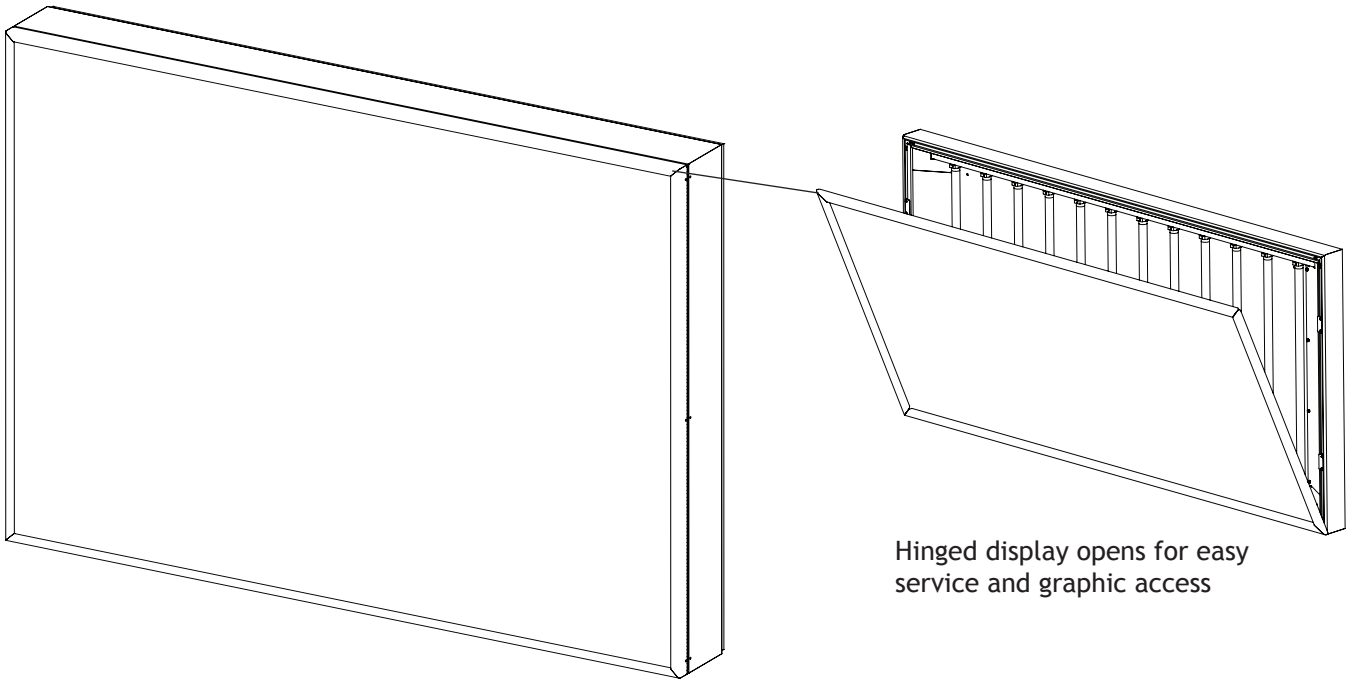
**Note:** Call Stylmark Customer Service for custom size quotes

- Notes:**
- Graphics not included.
  - For interior use only.
  - The Stylmark Luminaire Ultra<sup>®</sup> is cUL listed.

# Backlit Displays and Light Boxes

## Luminaire Ultra<sup>®</sup>

6 5/8" (168mm) Single-Sided Unit



### Luminaire Ultra<sup>®</sup> - 6 5/8" (168mm)

#### Outside Dimensions

- Add 9/16" (15mm) to nominal size in each dimension

#### Visual Area

- Subtract 1 7/8" (47mm) from nominal size in each dimension

#### Graphic Size

- Same as nominal size

#### Face

- One sheet 3/16" (5mm) translucent acrylic
- One sheet 3/16" (5mm) clear acrylic

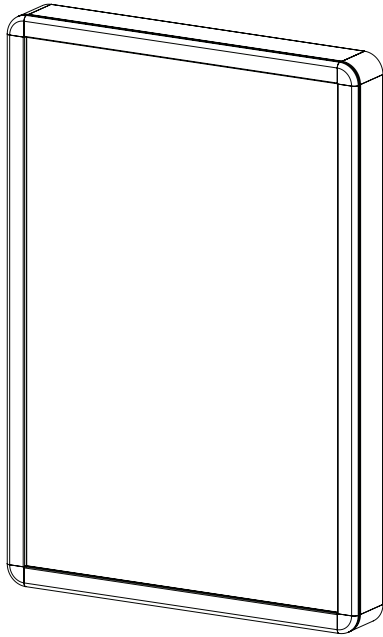
Luminaire Ultra <sup>®</sup> 6 5/8"	
*graphic sizes	
Inches	Millimeters
24" x 48"	610 x 1220
36" x 48"	914 x 1220
40" x 60"	1016 x 1524
48" x 60"	1220 x 1524
48" x 72"	1220 x 1829
48" x 96"	1220 x 2438

**Note:** Call Stylmark Customer Service for custom size quotes

- Notes:**
- Graphics not included.
  - For interior use only.
  - The Stylmark Luminaire Ultra<sup>®</sup> is cUL listed.

# Backlit Displays and Light Boxes

## Luminaire Ultra® II Wall-Mount



### Outside Dimensions

- Add 2" (51mm) to nominal size for each dimension

### Visual Area

- Subtract 3/4" (19mm) from nominal size in each dimension

### Graphic Size

- Same as nominal size

### Depth

- 2 1/2" or 3 1/2" single sided
- 5" double sided

### Options

- Round or square (mitered) corners
- Hanging loops
- On/off switch
- Tamper-resistant feature
- .015" (0.4mm) polycarbonate face sheet

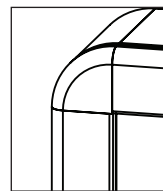
### Notes:

- Graphics not included.
- Available in a 5" (127mm) double-sided unit.
- Pedestal with feet available.
- For interior use only.
- The Stylmark Luminaire Ultra® II is cUL listed.

Luminaire Ultra® II 2 1/2" & 3 1/2" *graphic sizes	
Inches	Millimeters
16" x 20"	406 x 508
20" x 24"	508 x 610
20" x 30"	508 x 762
22" x 28"	559 x 711
24" x 30"	610 x 762
24" x 36"	610 x 914
24" x 48"	610 x 1220
30" x 40"	762 x 1016
36" x 48"	914 x 1220
40" x 50"	1016 x 1270
40" x 60"	1016 x 1524
43" x 62"	1092 x 1575
48" x 60"	1220 x 1524
48" x 72"	1220 x 1829

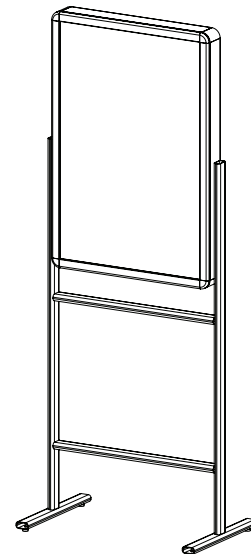
Luminaire Ultra® II 5" Double Sided *graphic sizes	
Inches	Millimeters
16" x 20"	406 x 508
20" x 24"	508 x 610
20" x 30"	508 x 762
22" x 28"	559 x 711
24" x 30"	610 x 762
24" x 36"	610 x 914
24" x 48"	610 x 1220
30" x 40"	762 x 1016
36" x 48"	914 x 1220
40" x 50"	1016 x 1270
40" x 60"	1016 x 1524
43" x 62"	1092 x 1575
48" x 60"	1220 x 1524
48" x 72"	1220 x 1829

Note: Call Stylmark Customer Service for custom size quotes



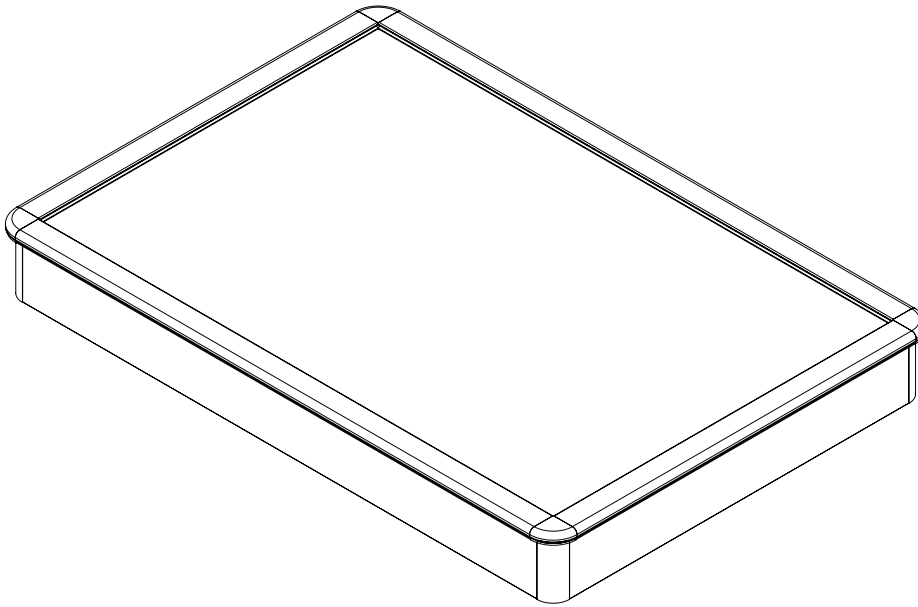
Round or square (mitered) corners available

### Pedestal Option



# Backlit Displays and Light Boxes

## Luminaire Ultra® II Wall-Inset



Luminaire Ultra® II Wall Inset <small>*graphic sizes</small>	
Inches	Millimeters
22" x 28"	559 x 711
24" x 36"	610 x 914
30" x 40"	762 x 1016
36" x 48"	914 x 1220
48" x 48"	1220 x 1220

**Note:** Call Stylmark Customer Service for custom size quotes

### Outside Dimensions

- Exposed frame: Add 2 1/2" (64mm) to nominal size in each dimension
- Body: Add 1 1/2" (38mm) to nominal size in each dimension

### Visual Area

- Subtract 3/4" (18mm) from nominal size in each dimension

### Depth

- 4 3/8" (111mm)
- Inset Depth: 3 3/4" (95mm) (subtract wall thickness to determine net inset depth)

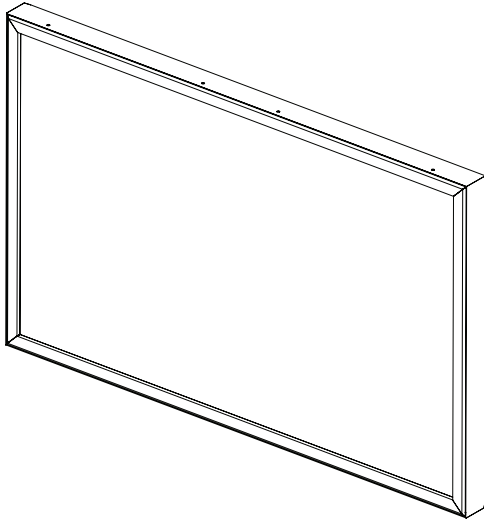
### Options

- Round or square (mitered) corners
- .015" (0.4mm) polycarbonate face sheet

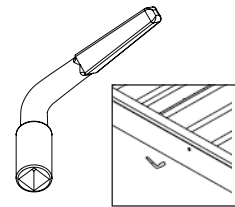
- Notes:**
- Graphics not included.
  - For interior use only.
  - The Stylmark Luminaire Ultra® II is cUL listed.

# Backlit Displays and Light Boxes

## XXLite™ - Large Format Backlit Display



Part #229056  
XXLite Frame Lock Key



### Outside Dimensions

- Add 2" (51mm) to nominal size in each dimension

### Visual Area

- Subtract 3 1/4" (83mm) from nominal size in each dimension

### Graphic Size

- Same as nominal size

### Depth

- 6" (152mm)

XXLite™	
*graphic sizes	
Inches	Millimeters
48" x 96"	914 x 1220
60" x 96"	1524 x 1220
60" x 120"	1524 x 3048
96" x 96"	1220 x 1220
96" x 120"	1220 x 3048
96" x 144"	1220 x 3658

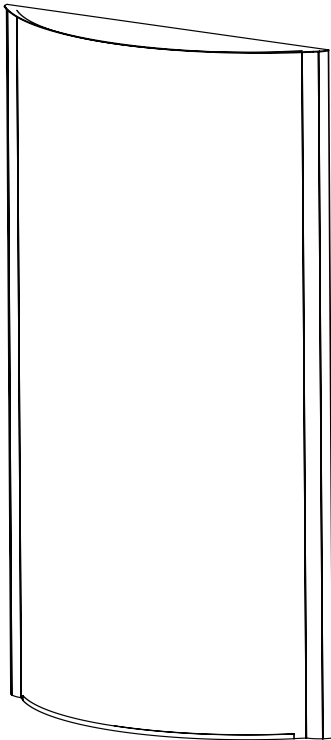
**Note:** Call Stylmark Customer Service for custom size quotes

- Notes:**
- Graphics not included.
  - Frame locking system to prevent any tampering with unit.
  - XXLite™ is intended to be wall mounted.
  - For interior use only.
  - The Stylmark XXLite™ is cUL listed.

# Backlit Displays and Light Boxes

## Panorama™

### Single-Sided



#### Graphic Size

- Same as nominal

#### Lamps

- Shipped with 5000K lamps

#### Face

- 1/16" (1.59mm) white acrylic on each side

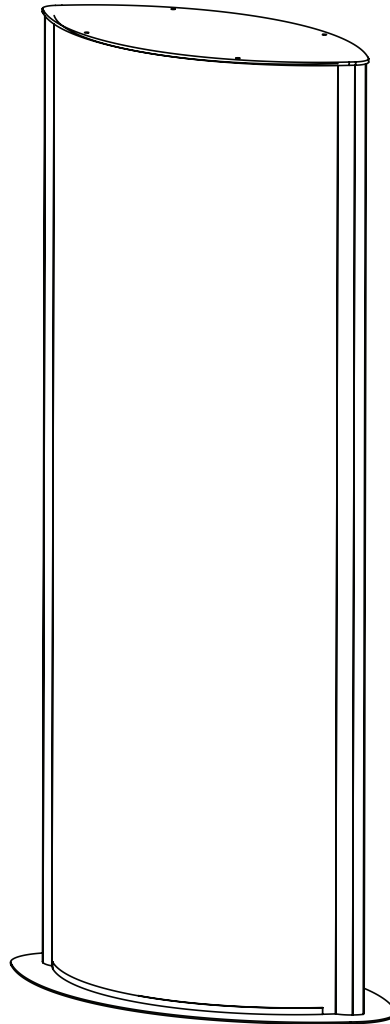
#### Options

- Single or double sided
- Floor-mounted
- Wall-mounted
- Suspended from ceiling

#### Notes:

- Graphics not included.
- For interior use only.
- The Stylmark Panorama™ is cUL listed.

### Double Side with Floor-Mount



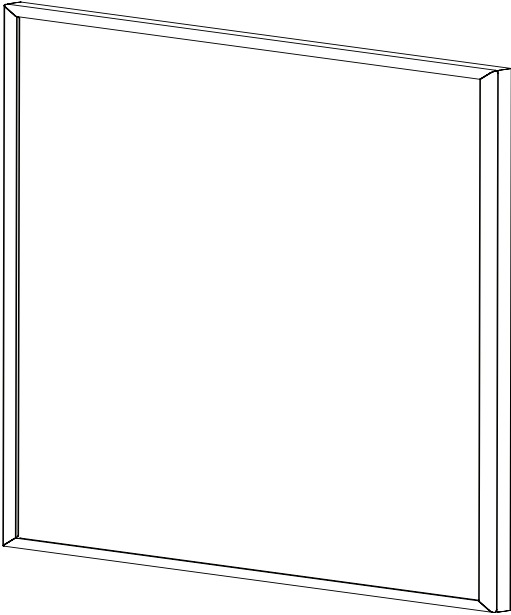
Panorama™ Single and Double Sided *graphic sizes	
Inches	Millimeters
23.5" x 24"	597 x 610
23.5" x 28"	597 x 6711
23.5" x 40"	597 x 1016

Panorama™ Double Sided - Floor Mount *graphic sizes	
Inches	Millimeters
23.5" x 52"	597 x 1321
23.5" x 64"	597 x 1626
23.5" x 76"	597 x 1930

# Backlit Displays and Light Boxes

## LED Backlit Display

Stylmark's ultra-slim profile LED light box offers superb illumination and aesthetics that provide exceptional visual impact to any graphic communications. Available in single-sided or double-sided, these LED light boxes may be suspended from the ceiling or mounted on pedestals for independent placement



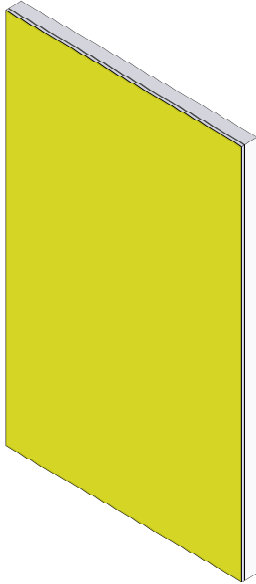
LED Backlit Display	
*graphic sizes	
Inches	Millimeters
20" x 24"	508 x 610
22" x 28"	559 x 711
24" x 30"	610 x 762
24" x 36"	610 x 914
30" x 40"	762 x 1016
36" x 48"	914 x 1220

**Note:** Call Stylmark Customer Service for custom size quotes

- Notes:**
- Graphics not included.
  - Double-sided unit is available.
  - For interior use only.

# Frameless Fabric Displays

## StretchLite™



### Outside Dimensions

- Same as nominal

### Visual Area

- Same as nominal

### Depth

- 4" (102mm)

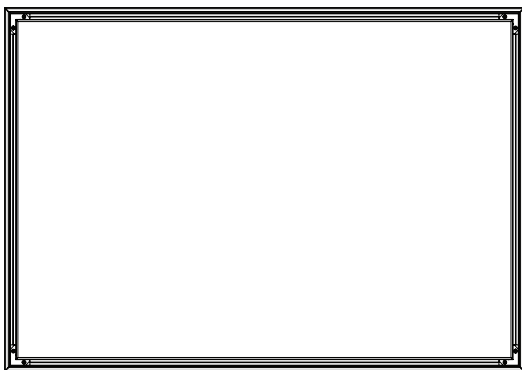
### Options

- Pedestal with feet

StretchLite™	
*graphic sizes	
Inches	Millimeters
24" x 30"	610 x 762
24" x 36"	610 x 914
36" x 48"	914 x 1220
48" x 96"	1220 x 2438
72" x 96"	1829 x 2438
96" x 120"	2438 x 3048

**Note:** Call Stylmark Customer Service for custom size quotes

## StretchFrame™



### Outside Dimensions

- Same as nominal

### Visual Area

- Same as nominal

### Options

- Double-sided unit
- Available pedestal with feet (double-sided unit only)

### Depth

- 3/4" (19mm) single-side unit
- 3" (77mm) double-side unit

StretchFrame™	
*graphic sizes	
Inches	Millimeters
24" x 30"	610 x 762
24" x 36"	610 x 914
36" x 48"	914 x 1220
48" x 96"	1220 x 2438
72" x 96"	1829 x 2438
96" x 120"	2438 x 3048

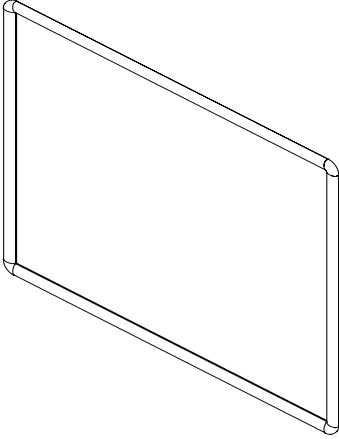
**Note:** Call Stylmark Customer Service for custom size quotes

- Notes:**
- Graphics not included.
  - Units larger than 48" x 96" (1220 x 2438mm) typically shipped in sections.
  - For interior use only.

# Graphic Frames

## PrintFrames™

### 1" PrintFrame™



**Outside Dimensions**

- Add 1 1/4" (32mm) to nominal size in each dimension

**Visual Area**

- Subtract 3/4" (19mm) from nominal size in each dimension

**Graphic Size**

- Same as nominal size

**Depth**

- 9/16" (14mm)

**Options**

- Round or square (mitered) corners

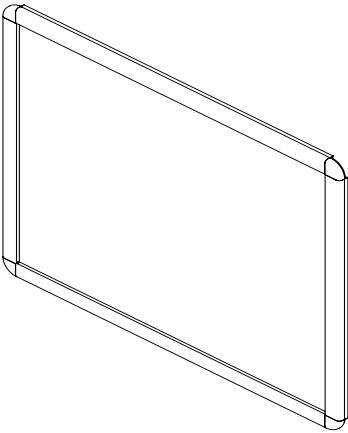
**Print Frame™  
Single Sided - 1"**

\*graphic sizes

Inches	Millimeters
8 1/2" x 11"	216 x 279
22" x 28"	559 x 711
24" x 30"	610 x 762
24" x 36"	610 x 914
30" x 40"	762 x 1016
36" x 48"	914 x 1220

**Note:** Call Stylmark Customer Service for custom size quotes

### 1 3/8" PrintFrame™



**Outside Dimensions**

- Add 2" (51mm) to nominal size in each dimension

**Visual Area**

- Subtract 3/4" (19mm) from nominal size in each dimension

**Graphic Size**

- Same as nominal size

**Depth**

- 13/16" (21mm) single-side unit
- 2 1/2" (64mm) double-side unit

**Options**

- Double-sided unit
- Pedestal with feet
- Round or square (mitered) corners

**Print Frame™  
Single Sided - 1 3/8"**

\*graphic sizes

Inches	Millimeters
8 1/2" x 11"	216 x 279
22" x 28"	559 x 711
24" x 30"	610 x 762
24" x 36"	610 x 914
30" x 40"	762 x 1016
36" x 48"	914 x 1220

**Print Frame™  
Double Sided - 1 3/8"**

\*graphic sizes

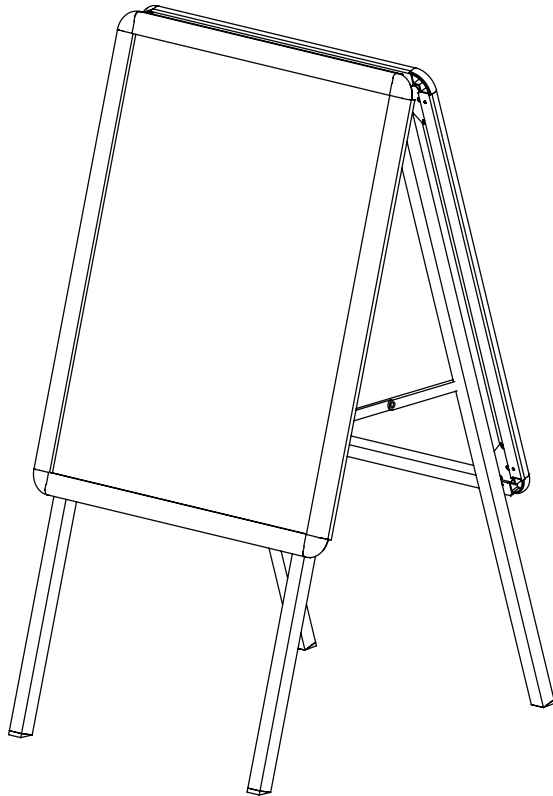
Inches	Millimeters
22" x 28"	559 x 711
24" x 30"	610 x 762
24" x 36"	610 x 914
30" x 40"	762 x 1016
36" x 48"	914 x 1220

**Note:** Call Stylmark Customer Service for custom size quotes

- Notes:**
- Graphics not included.
  - For interior use only.

# Graphic Frames

## A-Frame<sup>™</sup>



A-Frame <sup>™</sup> 1 3/8"	
*graphic sizes	
Inches	Millimeters
22" x 28"	559 x 711
24" x 30"	610 x 762
30" x 40"	762 x 1016

**Note:** Call Stylmark Customer Service for custom size quotes

### Outside Dimensions

- Add 2" (51mm) to nominal size in each dimension

### Visual Area

- Subtract 3/4" (19mm) from nominal size in each dimension

### Graphic Size

- Same as nominal size

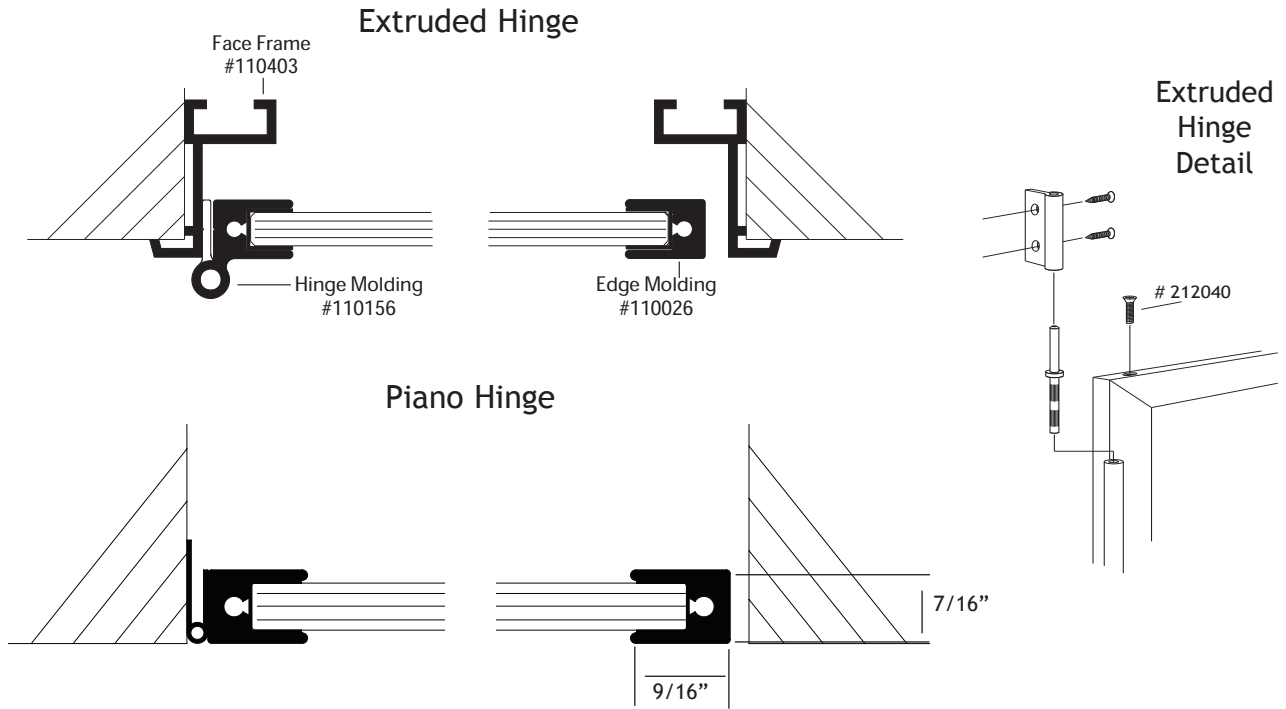
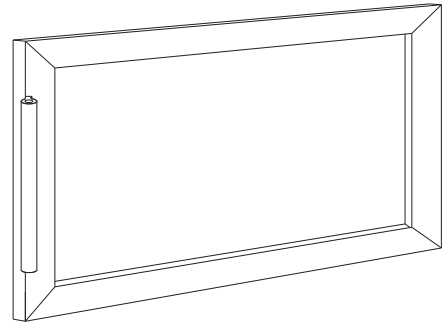
### Depth

- 13/16" (21mm) per side

- Notes:**
- Graphics not included.
  - For interior or exterior use.
  - Wind-resistant protective sheet is available.
  - Tamper-resistant feature is available.

# Standard Aluminum Hinged Door Frames

Stylmark's Aluminum Standard Hinged Door Frames hold a single panel of 1/4" thick. The frame is constructed with a small 9/16" edge molding, creating a virtually seamless hinge. Piano hinges are also available to accommodate larger sized door frames. Locks are not available. Standard hinged door frames can be used with our Face Frames (as shown on page 10) for an elegant visual display that captures viewer's attention quickly.



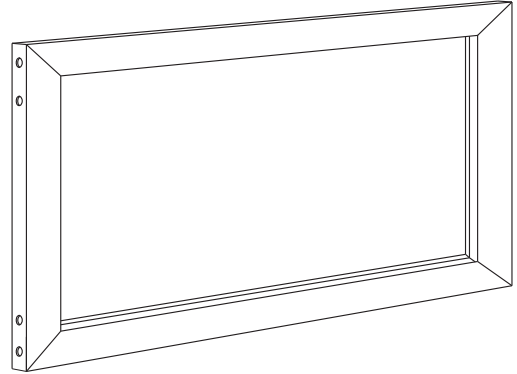
SIZE LIMITATIONS	MAXIMUM WIDTH	MAXIMUM HEIGHT
EXTRUDED HINGE	24"	48"
PIANO HINGE	36"	96"

STANDARD ALUMINUM HINGED DOOR FRAMES		
MODEL #	DESCRIPTION	PANEL THICKNESS
610135	FRAME WITH EXTRUDED HINGE (NO LOCK/NO LATCH)	1/4"
610176	FRAME WITH PIANO HINGE (NO LOCK/NO LATCH)	1/4"

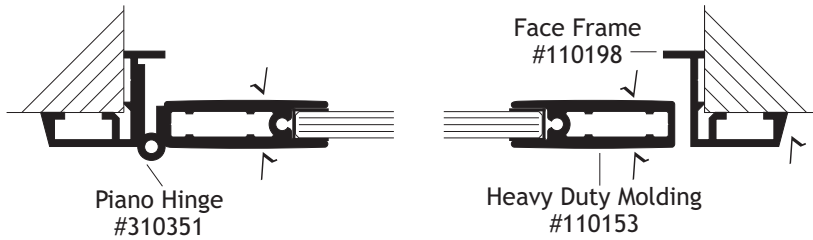
√ = finished surface

# Heavy Duty Aluminum Hinged Door Frames

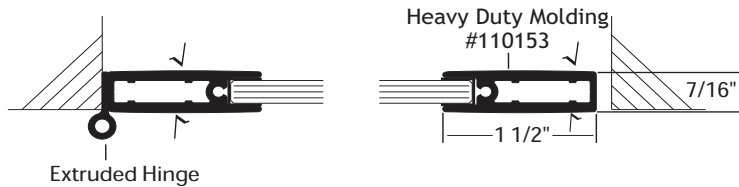
Heavy Duty Hinged Door Frames are designed for maximum durability. Recessed 5" steel corner brackets support mitered corners with ease. Piano hinges provide the extra strength larger openings require, while extruded hinges provide a clean, "invisible" look for smaller openings. This frame can be used with a Face Frame as shown on page 10, and you can choose from either a cam lock or push-release latch. Fabricated assemblies include glazing vinyl for a 1/4" thick panel.



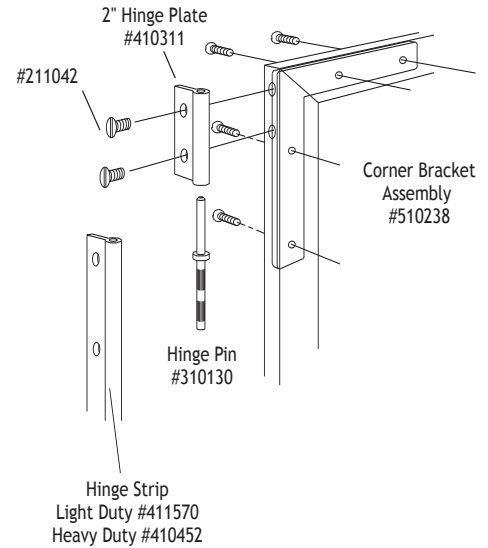
## Piano Hinge



## Extruded Hinge



## Steel Corner Bracket and Hinge



√ = finished surface

# Heavy Duty Aluminum Hinged Door Frames

## Hinges

Door Frames can be ordered with either an extruded hinge or a piano hinge. Extruded hinges provide a clean, “invisible” look for smaller openings. Piano Hinges supply greater strength for frames with larger openings.

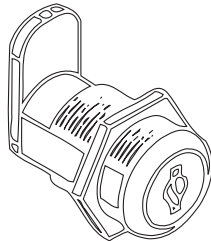
SIZE LIMITATIONS	MAXIMUM WIDTH	MAXIMUM HEIGHT
EXTRUDED HINGE	24”	48”
PIANO HINGE	36”	96”

These size limitations apply to side hinges only. You can enlarge the width capabilities of your frame by specifying top or bottom hinges.

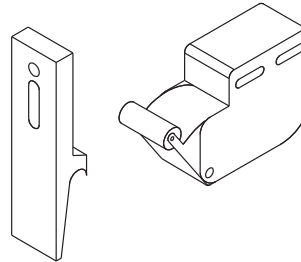
## Locks/Latches

Choose from a push-release latch or a cam lock.

**Part #510199**  
Cam Lock



**Part #510349**  
Push Latch

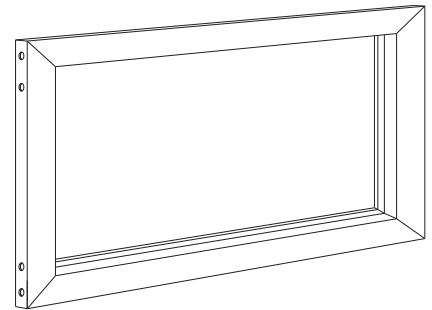


HEAVY DUTY ALUMINUM HINGED DOOR FRAMES		
MODEL #	DESCRIPTION	PANEL THICKNESS
610136	HEAVY DUTY FRAME WITH EXTRUDED HINGE AND LATCH	1/4”
610137	HEAVY DUTY FRAME WITH EXTRUDED HINGE AND LOCK	1/4”
610138	HEAVY DUTY FRAME WITH PIANO HINGE WITH LATCH	1/4”
610139	HEAVY DUTY FRAME WITH PIANO HINGE WITH LOCK	1/4”
610177	HEAVY DUTY FRAME WITH EXTRUDED HINGE AND LOCK	1/4”

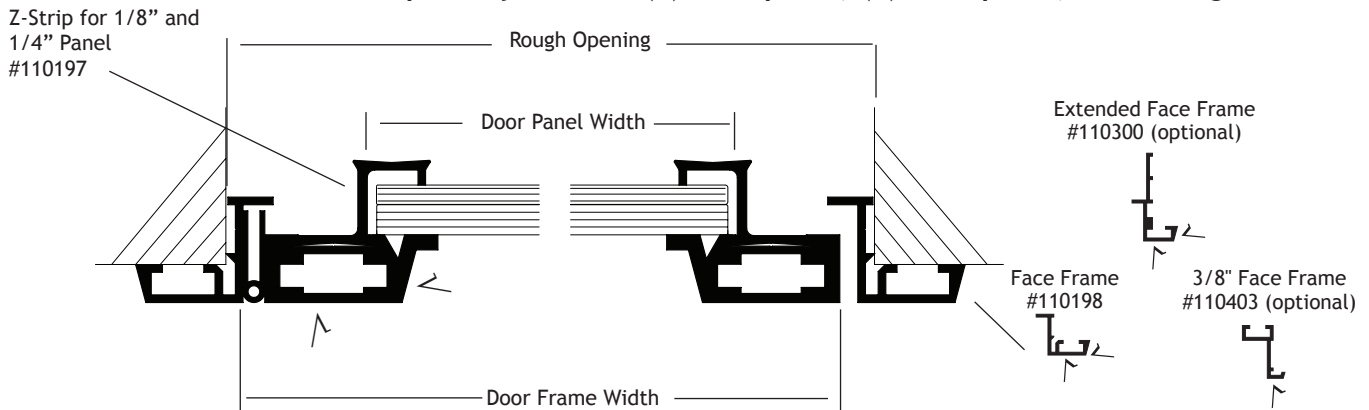
Notes: • Model #610177 does not include a face frame.

# Aluminum Transparency Frames

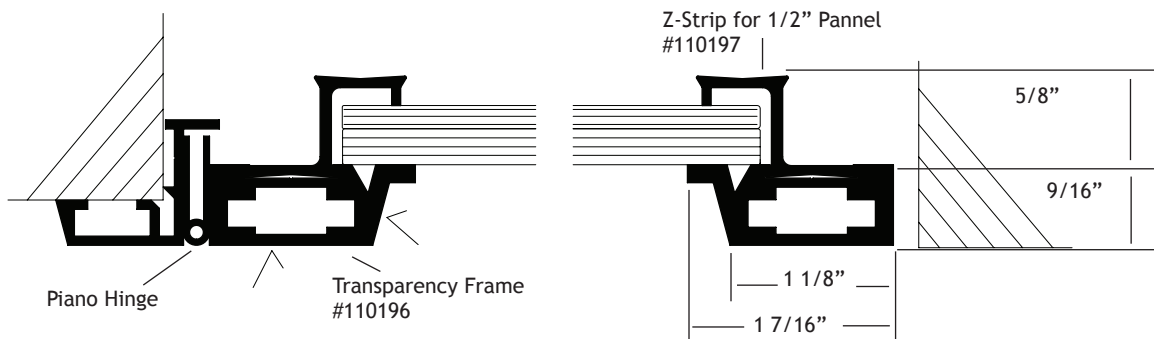
Stylmark's Aluminum Transparency Frames hold transparencies between two glazing panels in various thicknesses, which can then be backlit to dramatically highlight your product. Frames swing open on seam-free extruded or piano hinges, allowing you to change images quickly and easily. Secure your frame in its closed position using a push-release latch that is hidden inside the frame cavity, or choose a cam lock to prevent unwanted entry. Stylmark's Aluminum Transparency Frames are easy to assemble and mount, and are available in hundreds of color and finish combinations.



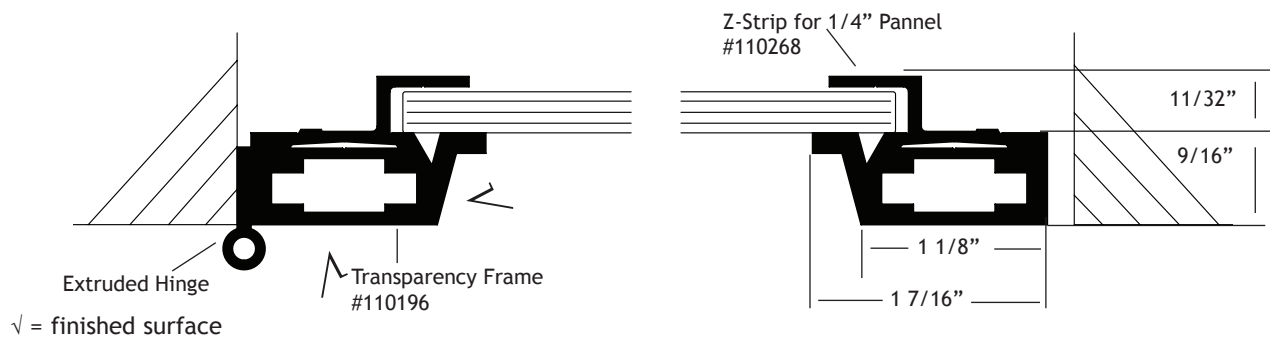
## Aluminum Transparency Frame: (1) 1/8" panel, (1) 1/4" panel, Piano Hinge



## Aluminum Transparency Frame: (2) 1/4" panels, Piano Hinge



## Aluminum Shadow Box Frame: (1) 1/4" panel, Extruded Hinge



# Aluminum Transparency Frames

## Hinges

Transparency Frames can be ordered with either an extruded hinge or a piano hinge. Extruded hinges are seam-free, and are ideal for use in frames measuring less than 48” high. Piano Hinges supply greater strength for frames over 48” high. You can enlarge the width capabilities of your frame by specifying top or bottom hinges.

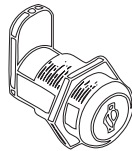
SIZE LIMITATIONS	MAXIMUM WIDTH	MAXIMUM HEIGHT
EXTRUDED HINGE	24”	48”
PIANO HINGE	36”	96”

These size limitations apply to side hinges only.  
You can enlarge the width capabilities of your frame  
by specifying top or bottom hinges.

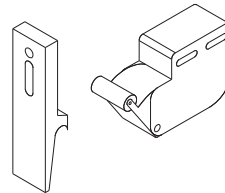
## Locks/Latches

Choose from either a push-release latch that is hidden inside the frame cavity, or a cam lock to prevent unwanted entry.

**Part #510199**  
Cam Lock



**Part #510349**  
Push Latch

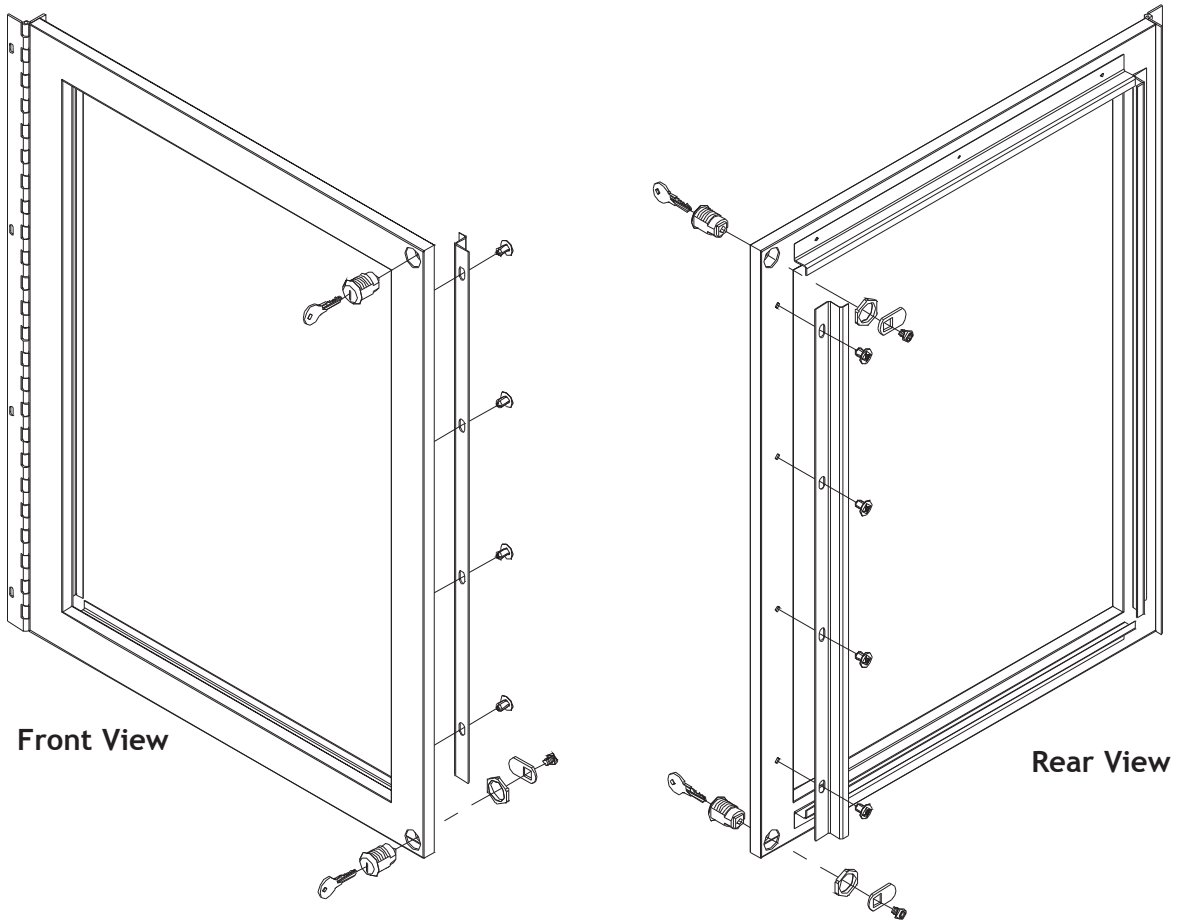


TRANSPARENCY FRAMES		
MODEL #	DESCRIPTION	TOTAL PANEL THICKNESS
610130	FRAME WITH PIANO HINGE AND LATCH	3/8” - 1/2”
610131	FRAME WITH EXTRUDED HINGE AND LATCH	3/8” - 1/2”
610132	FRAME WITH PIANO HINGE AND LOCK	3/8” - 1/2”
610133	FRAME WITH EXTRUDED HINGE AND LOCK	3/8” - 1/2”

SHADOW BOXES		
MODEL #	DESCRIPTION	TOTAL PANEL THICKNESS
610150	FRAME WITH PIANO HINGE AND LATCH	1/4”
610151	FRAME WITH EXTRUDED HINGE AND LATCH	1/4”
610152	FRAME WITH PIANO HINGE AND LOCK	1/4”
610153	FRAME WITH EXTRUDED HINGE AND LOCK	1/4”

# Steel Transparency Frames

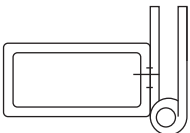
Stylmark's Stainless Steel Transparency Frames hold art or advertising between two glazing panels. The frame can then be backlit to dramatically highlight your product. Frame members are constructed of durable 16 gauge stainless steel with seamless welded corners that give the frame a clean and stylish look. Choose from five unique stainless steel finishes that range from mirror polished to satin brushed. Stainless Steel Transparency Frames ship as a welded assembly, making installation simple.



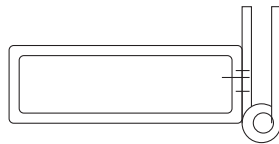
## Tube Options

Choose from two tube weldments:

1" x 1/2"  
Tube Weldment



1 1/2" x 1/2"  
Tube Weldment



# Steel Transparency Frames

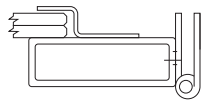
## Hinges

Stainless Steel Transparency Frames can be ordered with either a side or top/bottom piano hinge. The maximum finished frame sizes for each differ, as shown below.

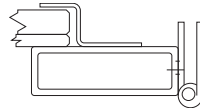
SIZE LIMITATIONS	MAXIMUM WIDTH	MAXIMUM HEIGHT
SIDE HINGE	36"	96"
TOP BOTTOM HINGE	96"	42"

## Z-Strips

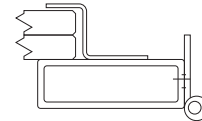
Z-strips hold the panels of glass in place. Three are welded to sides of the frame, and one is removable to allow for installation of the glass panels. Various sizes of Z-Strips are available to fit the following combinations of panel thicknesses (shown here welded with 1 1/2" x 1/2" tube):



(2) 1/8" Panels



(1) 1/8" panel  
(1) 1/4" panel

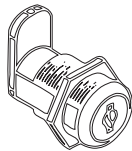


(2) 1/4" panels

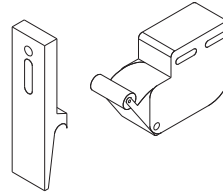
## Locks/Latches

Choose from either a push-release latch or a cam lock to prevent unwanted entry.

**Part #510199**  
Cam Lock



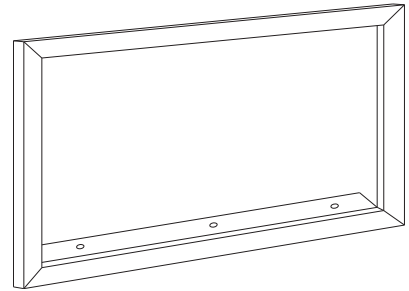
**Part #510349**  
Push Latch



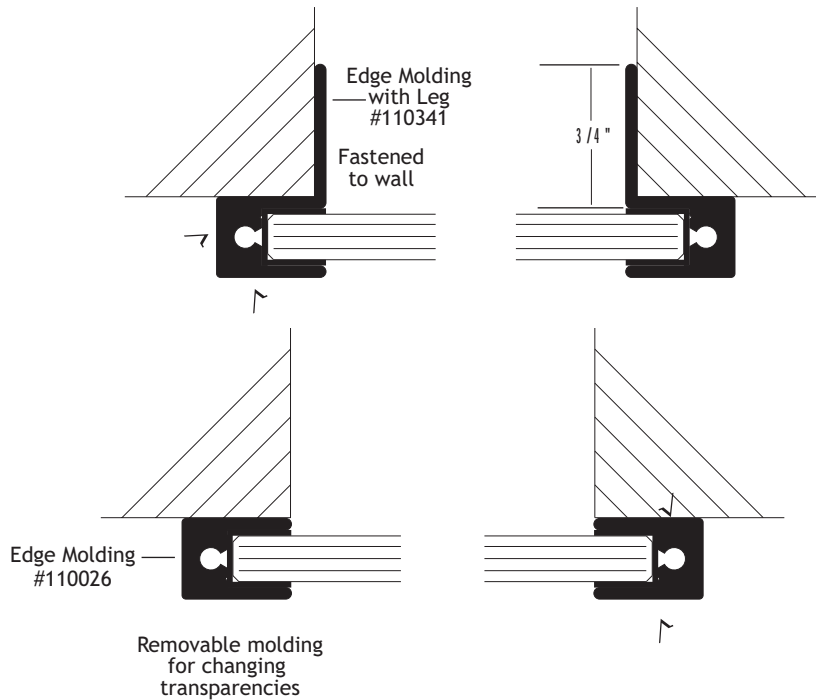
STAINLESS STEEL TRANSPARENCY FRAMES		
MODEL #	DESCRIPTION	TOTAL PANEL THICKNESS
618003	1 1/2" x 1/2" WITH ONE LOCK	1/4", 3/8" OR 1/2"
618004	1 1/2" x 1/2" WITH TWO LOCKS	1/4", 3/8" OR 1/2"
618005	1" x 1/2" WITH ONE LATCH	1/4", 3/8" OR 1/2"
618006	1 1/2" x 1/2" WITH TWO LATCHES	1/4", 3/8" OR 1/2"

# Aluminum Stationary Frames

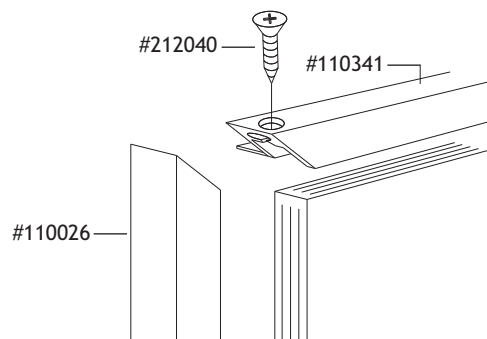
With a 9/16" edge channel, the Aluminum Stationary Frame can be used as an attractive transparency frame. A typical four-sided frame has two permanent channels that are affixed to the wall with legs, and two removable channels to slide your glass and/or artwork out. We can fabricate the frame to fit your sizing needs, and it is available in a straight or curved option.



**Part #610166**  
Aluminum Stationary Frame



**Removable Channel Detail**

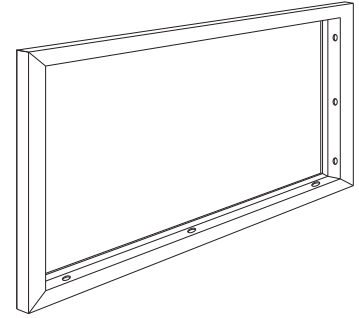


√ = finished surface

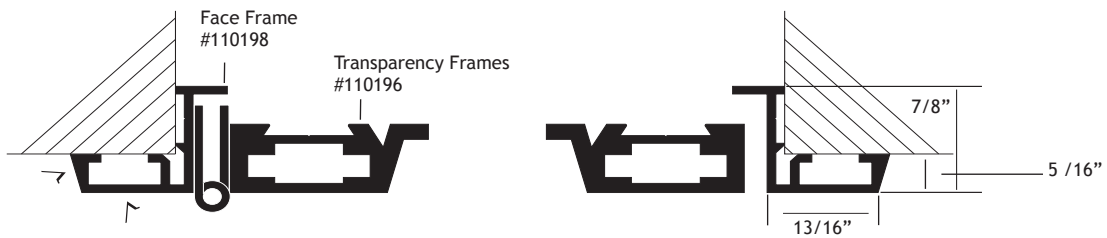
- Notes:**
- Part #110341 - Used for top and bottom frame.
  - Part #110026 - Used as side molding.

# Aluminum Face Frames

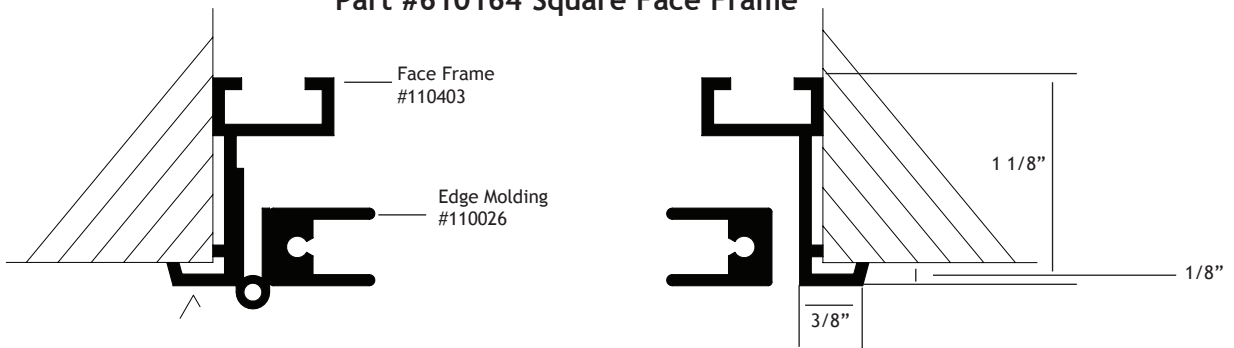
Stylmark created these decorative Face Frames to finish your rough openings with style. The Face Frame is easy to install with our Hinged Doors and Transparency Frames. Hidden steel mitered corner brackets hold corners tightly together for an attractive, seamless look.



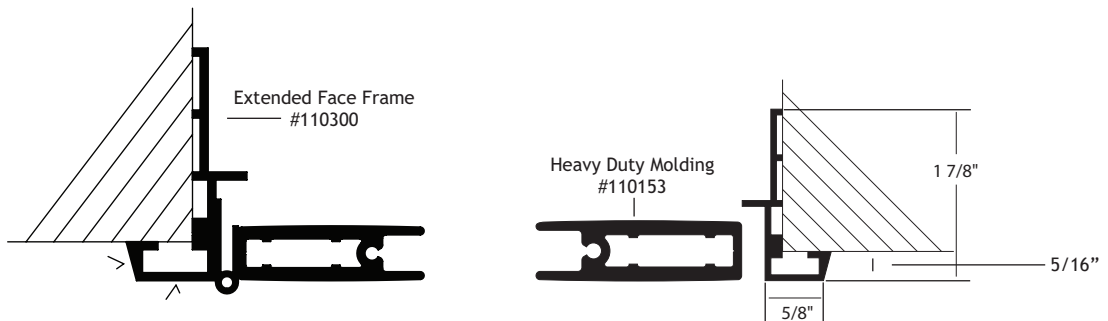
**Part #610142 Face Frame**



**Part #610164 Square Face Frame**



**Part #610156 Face Frame**



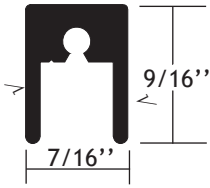
**Part #110220 Mullion**

This provides separation and support for multiple door systems.

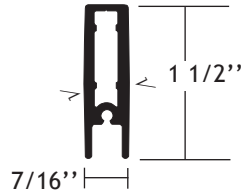


√ = finished surface

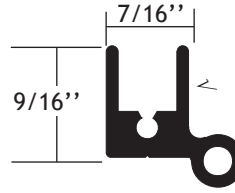
**Part #110026**  
Edge Molding



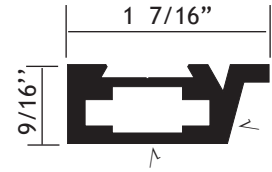
**Part #110153**  
Heavy Duty Molding



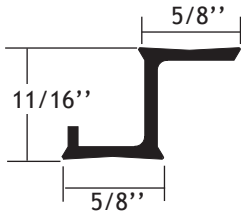
**Part #110156**  
Hinge Molding



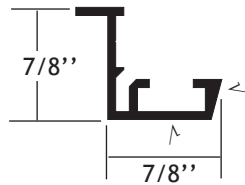
**Part #110196**  
Transparency Frame



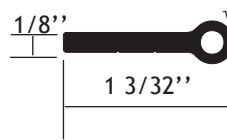
**Part #110197**  
Z-Strip 1/2\" Panel



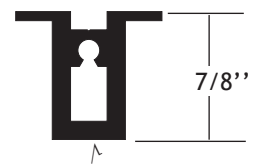
**Part #110198**  
Face Frame



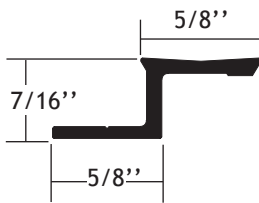
**Part #110204**  
Heavy Duty  
Hinge Strip



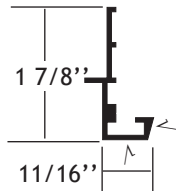
**Part #110220**  
Face Frame Mullion



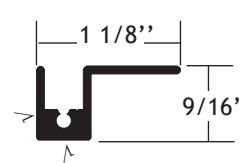
**Part #110268**  
Z-Strip 1/4\" Panel



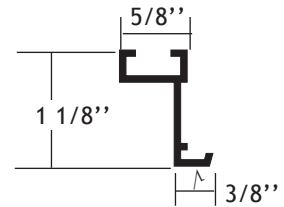
**Part #110300**  
Extended Face Frame



**Part #110341**  
Edge Molding w/Leg



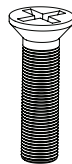
**Part #110403**  
3/8\" Face Frame



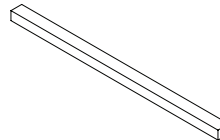
**Part #211042**  
Flat Head Machine  
Screw



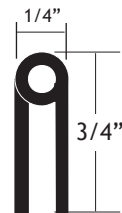
**Part #212040**  
#6 x 5/8 Hinge Screw



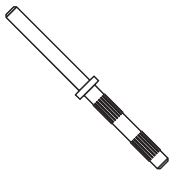
**Part #226019**  
Foam Tape



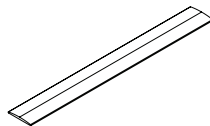
**With Holes: 224008**  
**Without Holes: 224009**  
1 1/2\" Piano Hinge



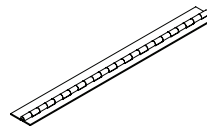
**Part #310130**  
Hinge Pin



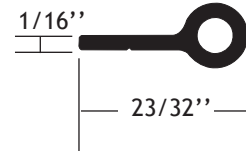
**Part #310345**  
Glide Strip



**Part #310351**  
Piano Hinge



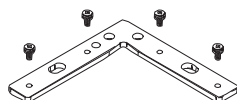
**Part #410311**  
2\" Hinge Plate



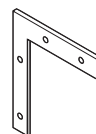
**Part #510199**  
Chrome Cam  
Lock Kit



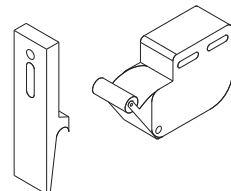
**Part #510237**  
Corner Bracket Assembly



**Part #510238**  
Corner Bracket Assembly



**Part #510349**  
Mini Latch Assembly





Flexible • Collaborative • Transformative • Solutions

For companies that need more than “just the components”,  
Stylmark is a versatile manufacturer that creates the  
spectrum of essential elements - to create comprehensive  
and distinctive lifestyle environments.

Architectural Trim & Moldings  
Backlit Displays & Transparency Frames  
Complete Solutions & Specialty Fixtures  
Fitting Room Systems & Mirror Kits  
Framing & Partition Systems  
Hardware & Accessories  
Shelving  
Showcases

---